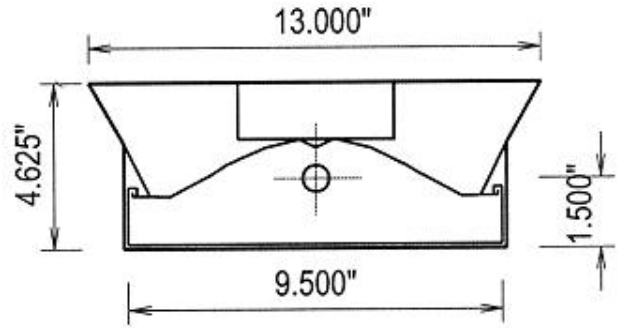
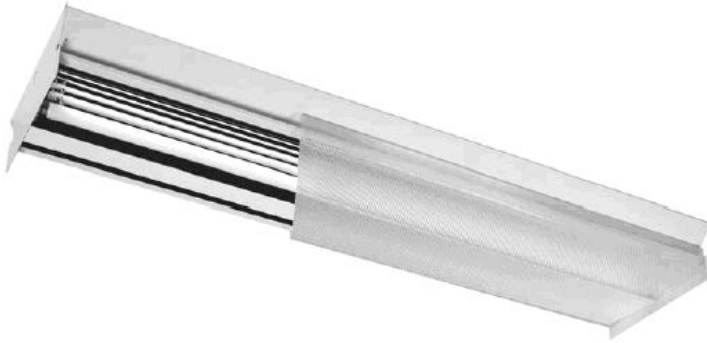


Wide Base Wrap

WW



Product Description

The WW wrap is an efficient and cost-effective fluorescent solution, designed with a wide footprint to allow it to replace existing surface mount fixtures, while covering unsightly marks. Applications include classrooms, hallways, warehouses, stairwells and retail applications.

The WW fixture is manufactured with all the knockouts necessary for standard surface or pendant mounting. The WW fixture is often installed in continuous rows to obtain optimal light dispersion in hallways and similar areas.

All fixtures utilize U.L approved components, are U.L approved and will bear U.L labels.

General Construction

The WW fixture housing and end caps are brake formed from heavy gauge cold rolled steel. 87% reflective white enamel finish is utilized.

The optical reflector system is precision brake formed of the selected aluminum material. The one piece reflector is removable without the use of tools, using ¼ turn fasteners to secure it in place.

Compact fluorescent lampholders are standard 2G11 base snap-in type. Polycarbonate rotary style locking lampholders are utilized for F32T8 and F54T5HO systems to ensure positive lamp retention and long life in high temperature applications.

A clear, 0.1" prismatic acrylic lens is standard with the WW fixture.

FIXTURE ORDERING INFORMATION

FIXTURE SERIES	LENS	# LAMPS	LAMP TYPE	VOLTAGE	#BALLASTS	BALLAST TYPE	REFLECTOR	OPTIONS	LAMP COLOR
WW	D12	1	17	12	1	HI	E	OS	835
WWT6		2	24	27		LI	A	NYC	841
WWT		3**	25	34		SI	W	E(#)	850
			36	UV		PS		F	865
			40	HV		PD		LS	
			50						
			32						
			54						

* WWT6 is a 6' fixture with 3' lamps in tandem, and WWT8 is an 8' fixture with 4' lamps in tandem, # lamps are for the profile of the fixture

** 3 lamps only available when using F17T8, F25T8 or F32T8 lamps

Lens Options:

D12 – Clear Prismatic Acrylic

Voltage Selections:

12 – 120V
 27 – 277V
 34 – 347V
 UV – 120-277V
 HV – 347-480V (T5HO Only)

Lamp Selections:

17 – F17T8
 24 – F25T5HO
 25 – F25T8
 24 – F24T5HO
 36 – FT36W/2G11
 40 – FT40W/2G11
 50 – FT50W/2G11
 32 – F32T8
 54 – F54T5HO

Ballast Selections:

HI – High BF Electronic Instant Start
 LI – Low BF Electronic Instant Start
 SI – Standard BF Electronic Instant Start
 PS – Programmed Start Electronic
 PD – Programmed Start Dimming

Reflector Selections:

E – Enhanced Aluminum
 A – Polished Aluminum
 W – Highly Reflective White

Option Selections:

OS – Occupancy Sensor
 NYC – 20 Gauge NYC Approved
 E (#) – Emergency Pack (Specify # of required Lumens)
 F – Inline Fuse
 LS – Locking Sockets



Phone: 1-800-541-9082
 Fax: 1-888-214-7667
 Web: www.optimumlighting.com

TYPE :

CAT# :

PROJECT :