

A21 SERIES

Aisle Area Light Distribution Fluorescent High-Bay

Product Description

A high efficiency fluorescent high-bay that provides ideal light distribution for aisles and narrow spaces. Applications include warehouses, manufacturing facilities, distribution centers and storage facilities.

Heat Dissipation – In order to achieve optimal heat dissipation, the housing has louvers and the reflector is slotted for appropriate air flow.

Light Distribution – Light is controlled in a narrow distribution, maximizing downlight and light levels directly below the fixture. This fixture is ideal for narrow aisles and those with tall racking. When used in aisles with racking or shelving, turning this fixture parallel to the aisle maximizes the light hitting the floor, while minimizing light loss to the racking.

Mounting Methods

A21 fixtures offer flexible mounting methods that most commonly include: standard chain hangers and surface mounting. There are several other mounting options for this fixture series, and they are listed as “hanging options” below.

Hanging Options Include:

- Surface Mount [Mounting holes provided in the housing] (Standard)
- Chain Mount [Chain hangers are supplied with the fixture] (Standard)
- Quick Cable [QC – Quick hang cable system] (Optional)
- Junction Box [JB – Slide-on splice box for 3/4” stem] (Optional)
- Pendant Stabilizer [PS – Bracket for stabilizing fixture when single point hanging with a 3/4” stem] (Optional)
- Quick Bracket System [QB – Innovative hanging system for easy installation. Available with various connection points] (Optional)
- Hook [SPSH – 12” Stem, pendant stabilizer & hook for hanging in loop or eye-bolt] (Optional)
- Quick Toggle [SPST – 12” Stem, pendant stabilizer & quick toggle hanger for hanging in an eye-bolt] (Optional)

Product Construction

The A21 fixture housing is brake formed from heavy gauge cold rolled steel. Ends and socket plates are permanently riveted together for strength and rigidity. The housing is post painted with a durable, highly reflective powder-coat finish. A pre-finished housing is available as an option.

Optical Reflector system is precision brake formed of the selected aluminum material, enhanced aluminum or highly reflective white. The one piece reflector is removable without the use of tools, using 1/4 turn fasteners to secure it in place.

Lampholders are made of a Polycarbonate material; these locking-style lampholders are utilized to ensure positive lamp retention. Additionally, the material contributes to a longer life product in high temperature applications.

Ballasts are electronic programmed-start (T5HO) or instant-start (T8) as a standard. Optional ballasts are available, consult factory for available systems and system specifications. Available voltages: 120v, 277v, 347v, voltage sensing 120-277v and 347-480v.

Listings – All fixtures are UL and CUL listed.



 Made in the USA



The Brightest Energy Solution

Phone: (800) 541-9082 Fax: (888) 214-7667 Web: www.optimumlighting.com

A21 – Fixture Ordering Information

Fixture Series*1	Lens	# of Lamps	Lamp Type	Voltage	# Ballasts	Ballast Type	Reflector	Hanging	Options	Lamp Color	Lamp Options**4
A21	—	7	32	12	2	HI	E	BLANK	C ()	BLANK	HP
A21P*1	—	8*3	54	27	3	LI	W	JB	6T1	830	A
A21T*2	—			34		SI	B	PS	6T2	835	TG
A21PT*1*2	—			UV		SI+		QB ()	E ()	841	SS
				HV		PS		QBH ()	F	850	ES ()
						PSL		QBT ()	OS ()		XL
						PSH		QC	SC		
						PD		QC ()	WG		
						SDH		SPSH	20G		
						AX		SPST	SDT		
									PC		

Please Specify When Ordering:

Fixture Series	Lens	# of Lamps	Lamp Type	Voltage	# Ballasts	Ballast Type	Reflector	Hanging	Options	Lamp Color	Lamp Options
A21	—										

*1 Standard A21 is postpainted (Scratch resistant, coated edges to prevent rusting). A21P is an economical Prepainted option (Small orders of A21P not available with Custom JB Hanging Option)

*2 A21T & A21PT are 8ft tandem fixtures, # lamps are for the profile of the fixture.

*3 8L T5HO A21 fixture only available in reduced temperature environments

*4 Consult Factory for Manufacturer Specific Ordering Codes/Availability.

Lamp Type Selections

- 32 F32T8 System
- 54 F54T5HO System

Voltage Selections

- 12 120V
- 27 277V
- 34 347V
- UV 120-277V
- HV 347-480V

Ballast Selections

- HI High Ballast Factor (HBF) Electronic*
- LI Low Ballast Factor (LBF) Electronic*
- SI Standard Ballast Factor (NBF) Electronic*
- SI+ 1.0BF Electronic*
- PS Programmed Start (NBF)
- PSL Programmed Start LBF*
- PSH Programmed Start HBF*
- PD Programmed Start Dimming
- SDH Step Dimming HBF (100% to 60% Dimming)*
- AX Daylight Harvesting Ballast with remote mount photosensor*

* T8 Only

Reflector Selections

- E Enhanced Aluminum
- W Highly Reflective White Aluminum
- B 95% Reflective Extreme White Aluminum

Hanging Selections

- BLANK V-Chain Hangers
- JB Slide-On Junction Box
- PS Pendant Stabilizer
- QB Quick Bracket (24", 30" or 36")
- QBH Quick Bracket with Hook (24", 30" or 36")
- QBT Quick Bracket for Threaded Rod (24", 30" or 36")
- QC Quick Hang Cable (10')
- QC() Quick Hang Cable (Specify Length)
- SPSH 12" Stem/PS/Hook
- SPST 12" Stem/PS/Toggle

Options Selections

- C() Single Circuit Cord (Specify Length)
- 6T1 6' Cord with L5-15 Locking End
- 6T2 6' Cord with L7-15 Locking End
- E() Emergency Pack (# Lumens)
- F Inline Fuse
- OS() Occupancy Sensor (Specify Lamps on Low/Lamps on High)
- SC Safety Cable
- WG Wire Guard
- 20G 20 gauge NYC Standards
- SDT Step Down Transformer (480 to 277V)
- PC Photocell

Lamp Color Selections:

- BLANK Lamps Not Included
- 830 80+ CRI, 3000K
- 835 80+ CRI, 3500K
- 841 80+ CRI, 4100K
- 850 80+ CRI, 5000K

Lamp Options Selections:

- HP High Performance, Long Life Lamps*
- A Amalgam Tip Lamps**
- TG Tubeguarded Lamps
- SS Shattershielded Lamps
- ES() Energy Saver (Specify Wattage)
- XL Long Life*

* T8 Only

** T5HO Only

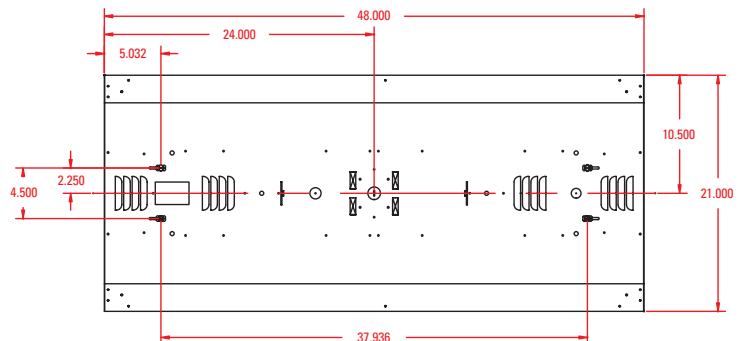
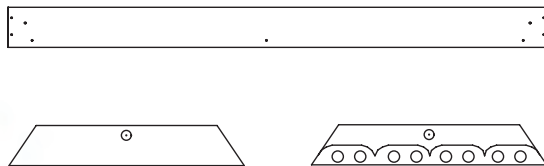
Common Fixture Selections

Catalog Number	System	# of Lamps	Wattage (120/277V)*	Initial System Lumens*	Mean System Lumens*
A21 732 UV 2HI W	T8	7	259w / 254w	25,606	24,780
A21 754 UV 2PS E	T5HO	7	420w / 411w	35,150	33,392
A21 832 UV 2LI W	T8	8	194w / 192w	19,096	18,480
A21 832 UV 2PSH E	T8	8	294w / 288w	28,768	27,840

*Wattages may vary depending on the ballast manufacturer and lamp type used.

Initial and mean system lumens are the initial/mean lumen output of the lamp/ballast system as rated by lamp and ballast manufacturer and may vary from manufacturer to manufacturer.

Specifications and dimensions subject to change without notice. Contact Optimum Lighting for current availability and ordering information.



Fixture Type: _____

Catalog #: _____ Quantity: _____

Project: _____