



ESR
SERIES

Aesthetic Strip Retrofit Kit

Product Description

The ESR strip retrofit kit is designed to offer the end user a cost effective way to increase the efficiency and lumen output of existing strip fixtures. Custom fabricated for the existing channel width, the ESR conversion kit is easy to install and provides for high efficiency general lighting.

Applications include supermarkets and retail applications.

ESR retrofit kits are available with a variety of lamp and reflector combinations – allowing the customer to design the ESR system to meet or exceed existing light levels and customize the “look” to match their specific needs. Optimum Lighting recommends the coupling of the Diffuse Amwhite reflector with high lumen “Super” T8 lamps – as a way to maximize lumen output while maintaining an aesthetic fixture appearance.

The ESR strip retrofit is designed for easy installation in existing strip fixtures.

Light Distribution – This fixture has a patent-pending, custom reflector that is designed to provide optimal light distribution in retail aisles.

Product Construction

The channel cover is made from 0.028” cold rolled steel, and custom fabricated to fit the existing channel width. The brake-formed cover is designed with ease of installation in mind. Exterior surfaces are finished with highly reflective white paint.

Optical Reflector system is precision brake formed of the selected aluminum material. The reflector is designed to be removable without the use of tools, using 1/4 turn fasteners to secure it in place.

Lampholders are made of a Polycarbonate material; these locking-style lampholders are utilized to ensure positive lamp retention. Additionally, the material contributes to a longer life product in high temperature applications.

Ballasts are electronic programmed-start (T5HO) or instant-start (T8) as a standard. Optional ballasts are available, consult factory for available systems and system specifications. Available voltages: 120v, 277v, 347v, voltage sensing 120-277v and 347-480v.

Listings – All fixtures are UL and CUL listed.

Patents – Reflector design is currently Patent Pending



The Brightest Energy Solution

Phone: (800) 541-9082 Fax: (888) 214-7667 Web: www.optimumlighting.com

ESR – Fixture Ordering Information

Fixture Series	Channel Width	# of Lamps	Lamp Type	Voltage	# Ballasts	Ballast Type	Reflector	Options	Lamp Color	Lamp Options* ⁵
ESR	Specify* ³	1	17	BLANK	BLANK	NB** ⁴	E	E ()	BLANK	HP
ESR6T* ¹		2	24	12	1	HI	W	F	830	A
ESRT* ²		3	25	27	2	LI	B	OS ()	835	TG
ESR12T* ²			32	34	3	SI		WG	841	SS
ESR16T* ²			39	UV		SI+		WWG	850	ES ()
ESR20T* ²			54	HV		PS		SDT		XL
ESR24T* ²						PSL		PC		
						PSH		US* ⁴		
						PD		NS		
						SDH				
						AX				

Please Specify When Ordering:

Fixture Series	Channel Width	# of Lamps	Lamp Type	Voltage	# Ballasts	Ballast Type	Reflector	Options	Lamp Color	Lamp Options
ESR										

*1 ESR 6T is a 6ft Tandem fixture, # of lamps are for the profile of the fixture (3' lamps).

*2 ESRT is an 8ft Tandem fixture, ESR 12T is a 12ft Tandem fixture, ESR 16T is a 16ft Tandem fixture, ESR 20T is a 20ft Tandem fixture & ESR 24T is a 24ft Tandem fixture, # of lamps are for the profile of the fixture (4' lamps).

*3 Specify Existing Channel Width: 3.00" Minimum for 2 lamp profile and 4.25" Minimum for 3 lamp profile.

*4 ESR ordered with No Ballast will be shipped with Shunted Sockets, unless Unshunted Sockets are specified.

*5 Consult Factory for Manufacturer Specific Ordering Codes/Availability.

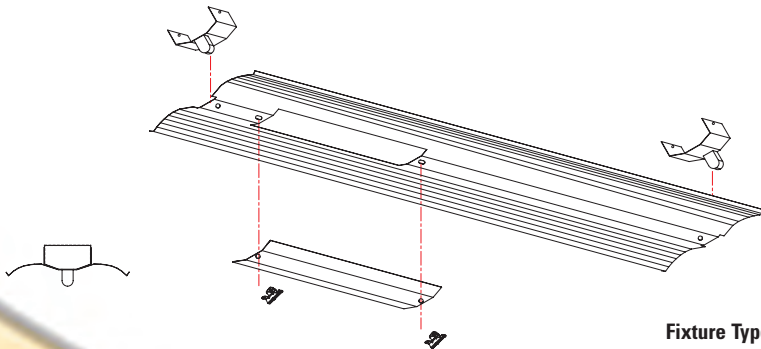
Lamp Type Selections 17 F17T8 System 24 F24T5HO System 25 F25T8 System 32 F32T8 System 39 F39T5HO System 54 F54T5HO System	Ballast Selections NB Ballast Not Included HI High Ballast Factor (HBF) Electronic* LI Low Ballast Factor (LBF) Electronic* SI Standard Ballast Factor (NBF) Electronic* SI+ 1.0BF Electronic* PS Programmed Start (NBF) PSL Programmed Start LBF* PSH Programmed Start HBF* PD Programmed Start Dimming SDH Step Dimming HBF (100% to 60% Dimming)* AX Daylight Harvesting Ballast with remote mount photosensor* * T8 Only	Reflector Selections E Enhanced Aluminum W Highly Reflective White Aluminum B 95% Reflective Extreme White Aluminum	Options Selections E() Emergency Pack (# Lumens) F Inline Fuse OS() Occupancy Sensor (Specify Lamps on Low/Lamps on High) WG Wireguard WWG White Wireguard SDT Step Down Transformer (480 to 277V) PC Photocell US Unshunted Sockets NS No Sockets	Lamp Color Selections BLANK Lamps Not Included 830 80+ CRI, 3000K 835 80+ CRI, 3500K 841 80+ CRI, 4100K 850 80+ CRI, 5000K Lamp Options Selections HP High Performance, Long Life Lamps* A Amalgam Tip Lamps*** TG Tubeguarded Lamps SS Shattershielded Lamps ES() Energy Saver (Specify Wattage)** XL Long Life* * T8 Only ** 32w T8, 54w T5HO Only *** T5HO Only
---	--	--	---	---

Common Fixture Selections

Catalog Number	System	# of Lamps	Wattage (120/277V)*	Initial System Lumens*	Mean System Lumens*
ESR 232 UV 1HI E	T8	2	74w/73w	7,130	6,900
ESR 254 UV 1PS E	T5HO	2	116w/115w	10,000	9,500
ESRT 132 UV 1PSH E	T8	2	75w/74w	7,130	6,900
ESR 24T 132 UV 1SDH W	T8	6	221w / 215w	21,948	21,240

*Wattages may vary depending on the ballast manufacturer and lamp type used.

Initial and mean system lumens are the initial/mean lumen output of the lamp/ballast system as rated by lamp and ballast manufacturer and may vary from manufacturer to manufacturer. Specifications and dimensions subject to change without notice. Contact Optimum Lighting for current availability and ordering information.



Fixture Type: _____

Catalog #: _____ Quantity: _____

Project: _____

RETROFIT
FIXTURES