

EWP SERIES | Exterior Wall Pack

Product Description

A highly durable and efficient gasketed exterior wall pack fixture designed to maximize light distribution and withstand the harshest of conditions.

The Linear Prism design of the lens allows for optimal light output and superior distribution.

Applications include parking garages/lots, retail exteriors, perimeter lighting, loading areas, tunnels and other wet and/or dusty locations.

Mounting Methods:

EWP fixtures come standard with 1/2" Pipe Thread on each end. This mounting option allows the fixture to be hung without holes being drilled through the housing, thus maintaining the fixture integrity.

Product Construction

The EWP's housing is brake formed from heavy gauge cold rolled steel. Ends are permanently welded in place to form a rigid finished product. The housing is bronze with a durable, weather resistant finish.

Optical Reflector system is precision brake formed of the selected aluminum material. The one piece reflector is removable without the use of tools.

Lampholders are made of a Polycarbonate material; these locking-style lampholders are utilized to ensure positive lamp retention. Additionally, the material contributes to a longer life product in high temperature applications.

Lens is Impact Resistant DR Acrylic.

Ballasts are electronic programmed-start (T5HO) or instant-start (T8) as a standard. Optional ballasts are available, consult factory for available systems and system specifications. Available voltages: 120v, 277v, 347v, voltage sensing 120-277v and 347-480v.

Listings – All fixtures are UL and CUL listed.



 Made in the USA



The Brightest Energy Solution

Phone: (800) 541-9082 Fax: (888) 214-7667 Web: www.optimumlighting.com

EWP – Fixture Ordering Information

Fixture Series	Lens	# of Lamps	Lamp Type	Voltage	# Ballasts	Ballast Type	Reflector	Hanging	Options	Lamp Color	Lamp Options*2
EWP	—	1	17	12	1	HI	E	BLANK	DS	BLANK	HP
		2	24	27	2	LI	W			830	A
		3	32	34		SI	B			835	XL
		4	50	UV		SI+				841	
			54	HV		PS				850	
						PSL					
						PSH					
						PD					
				SDH							

Please Specify When Ordering:

Fixture Series	Lens	# of Lamps	Lamp Type	Voltage	# Ballasts	Ballast Type	Reflector	Hanging	Options	Lamp Color	Lamp Options
EWP											

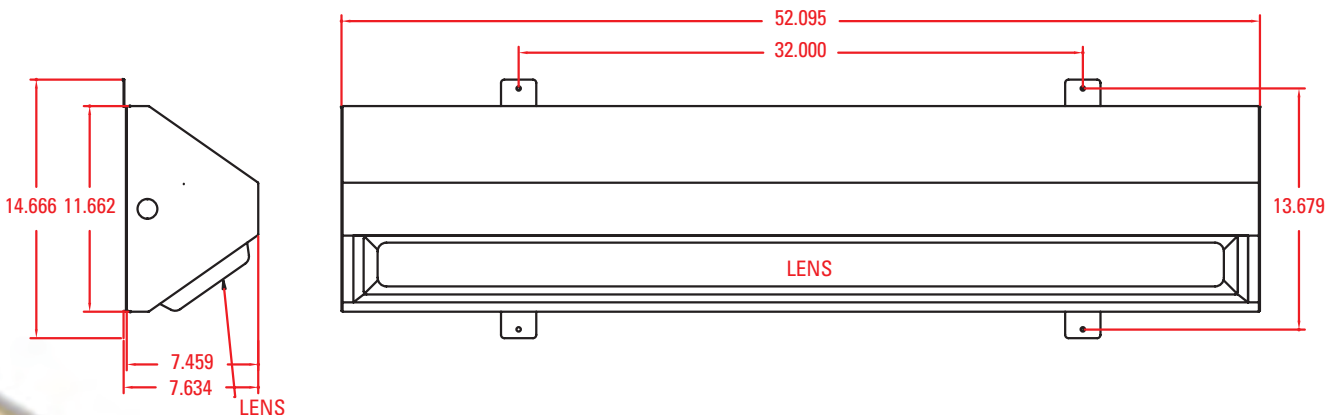
*1 EWP available with up to 2 – 50w Biax, 3 – T5HO lamps and 4 – T8 lamps
 *2 Consult Factory for Manufacturer Specific Ordering Codes/Availability.

Lens Selections Blank DR Acrylic Impact Resistant	Voltage Selections 12 120V 27 277V 34 347V UV 120-277V HV 347-480V	Ballast Selections HI High Ballast Factor (HBF) Electronic* LI Low Ballast Factor (LBF) Electronic* SI Standard Ballast Factor (NBF) Electronic* SI+ 1.0BF Electronic* PS Programmed Start (NBF) PSL Programmed Start LBF* PSH Programmed Start HBF** PD Programmed Start Dimming SDH Step Dimming HBF (100% to 60% Dimming)* <small>* T8 Only ** T8 & 50w Biax Only</small>	Reflector Selections E Enhanced Aluminum W Highly Reflective White Aluminum B 95% Reflective Extreme White Aluminum Hanging Selections BLANK Standard 1/2" Pipe Thread on each End Options Selections DS Microwave Daylight Sensor	Lamp Color Selections: BLANK Lamps Not Included 830 80+ CRI, 3000K 835 80+ CRI, 3500K 841 80+ CRI, 4100K 850 80+ CRI, 5000K Lamp Options Selections: HP High Performance, Long Life Lamps* A Amalgam Tip Lamps** XL Long Life* <small>* T8 Only ** T5HO Only</small>
--	---	---	---	---

Common Fixture Selections

Catalog Number	System	# of Lamps	Wattage (120/277V)*	Initial System Lumens*	Mean System Lumens*
EWP 254 UV 1PS W	T5HO	2	116w / 115w	10,000	9,500
EWP 332 UV 1PSH E	T8	3	110w / 108w	10,695	10,350
EWP 354 UV 1PS E	T5HO(Amalgam)	3	188w / 185w	14,847	14,105
EWP 432 UV 1HI E	T8	4	148w / 145w	14,632	14,160

*Wattages may vary depending on the ballast manufacturer and lamp type used.
 Initial and mean system lumens are the initial/mean lumen output of the lamp/ballast system as rated by lamp and ballast manufacturer and may vary from manufacturer to manufacturer.
 Specifications and dimensions subject to change without notice. Contact Optimum Lighting for current availability and ordering information.



Fixture Type: _____

Catalog #: _____ Quantity: _____

Project: _____