

GU SERIES | Aesthetic Lensed Fluorescent High-Bay with Uplight.

Product Description

An aesthetically pleasing, high efficiency fluorescent high-bay that provides exceptional light distribution for general areas with a design that allows for uplight. The clean and crisp look of the GU coupled with the uplight component make it an ideal choice for retail applications. Other applications include warehouses, manufacturing facilities, museums, hotels and gymnasiums with the wireguard safety option.

Light Distribution – The bottom arc angle of this fixture series provides a wide distribution pattern – excellent for use in general or open areas. When used in aisles with racking or shelving, turning this fixture perpendicular to the aisle allows the bottom arc to throw light evenly along the floor, lighting between the fixtures. The arced bottom also enhances the vertical footcandles, providing more even illumination down the product walls.

Mounting Methods

GU fixtures offer flexible mounting methods that most commonly include: standard chain hangers and surface mounting. There are several other mounting options for this fixture series, and they are listed as “hanging options” below.

Hanging Options Include:

- Surface Mount [Mounting holes provided in the housing] (Standard)
- Chain Mount [Chain hangers are supplied with the fixture] (Standard)
- Quick Cable [QC – Quick hang cable system] (Optional)
- Junction Box [JB – Slide-on splice box for 3/4” stem] (Optional)
- Pendant Stabilizer [PS – Bracket for stabilizing fixture when single point hanging with a 3/4” stem] (Optional)
- Quick Bracket System [QB – Innovative hanging system for easy installation. Available with various connection points] (Optional)

- Hook [SPSH – 12” Stem, pendant stabilizer & hook for hanging in loop or eye-bolt] (Optional)
- Quick Toggle [SPST – 12” Stem, pendant stabilizer & quick toggle hanger for hanging in an eye-bolt] (Optional)

Product Construction

The GU fixture housing is brake formed from heavy gauge cold rolled steel. Ends and socket plates are permanently riveted together for strength and rigidity. The housing is post painted with a durable, highly reflective powder-coat finish. Venting is incorporated to ensure optimal fixture performance.

Optical Reflector system is precision brake formed of theselected aluminum material: enhanced aluminum or highly reflective white. The one piece reflector is removable without the use of tools, using 1/4 turn fasteners to secure it in place.

Lampholders are made of a Polycarbonate material; these locking-style lampholders are utilized to ensure positive lamp retention. Additionally, the material contributes to a longer life product in high temperature applications.

Lens Standard lens is a high efficiency, high dispersion 23 pattern clear acrylic. Optional lenses are available, see ordering information. Standard upright lenses are 23 pattern with all lens options.

Ballasts are electronic programmed-start (T5HO) or instant-start (T8) as a standard. Optional ballasts are available, consult factory for available systems and system specifications. Available voltages: 120v, 277v, 347v, voltage sensing 120-277v and 347-480v.

Listings – All fixtures are UL and CUL listed.

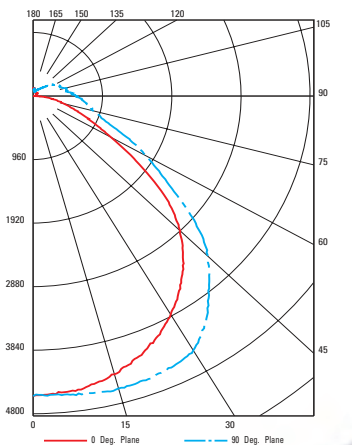
Patents – U.S. Patent #7,070,303 & 7,594,736

Photometric Data

LTL NUMBER: 9701
CAT#: GU D23 632 UV 2SI E 841

ZONAL LUMEN SUMMARY			
ZONE	LUMENS	% LAMP	% FIXT
0-30	3679	21.5	26.5
0-40	6121	35.8	44.1
0-60	10491	61.3	75.5
0-90	12742	74.5	91.7
90-120	761	4.5	5.5
90-130	906	5.3	6.5
90-150	1067	6.2	7.7
90-180	1146	6.7	8.3
0-180	13888	81.2	100.0

TOTAL LUMINAIRE EFFICIENCY:	81.2%	
CIE TYPE:	DIRECT	
PLANE:	0-DEG	90-DEG
SPACING CRITERIA:	1.2	1.4





The Brightest Energy Solution

Phone: (800) 541-9082 Fax: (888) 214-7667 Web: www.optimumlighting.com

GU – Fixture Ordering Information

Fixture Series	Lens	# of Lamps	Lamp Type	Voltage	# Ballasts	Ballast Type	Reflector	Hanging	Options	Lamp Color	Lamp Options*3
GU	D23	4	17	12	1	HI	E	BLANK	C ()	BLANK	HP
	D23FD*1	5	24	27	2	LI	W	JB	6T1	830	A
	DL1	6	32	34	3	SI	B	PS	6T2	835	TG**4
	DL1FD*1	7*2	54	UV		SI+		QB ()	E ()	841	SS**4
	DL2			HV		PS		QBH ()	F	850	ES ()
	DL2FD*1					PSL		QBT ()	GSK		XL
						PSH		QC	NV		
						PD		QC ()	OS ()		
						SDH		SPSH	SC		
						AX		SPST	WG		
									20G		
									CC ()		
									PC		

Please Specify When Ordering:

Fixture Series	Lens	# of Lamps	Lamp Type	Voltage	# Ballasts	Ballast Type	Reflector	Hanging	Options	Lamp Color	Lamp Options
GU											

*1 FD Designates Full Door Option, No heat removal. Only available with 654 & 732 in reduced temperature applications.

*3 Consult Factory for Manufacturer Specific Ordering Codes/Availability.

*2 7 lamp option only available in T8

*4 Use in lensed fixtures is limited. Contact factory for specific application details.

Lens Selections

- D23** 23 Pattern High Dispersion, High Efficiency
- DL1** 0.118" Clear Lexan
- DL2** 0.220" Clear Lexan

Lamp Type Selections

- 17** F17T8 System
- 24** F24T5HO System
- 32** F32T8 System
- 54** F54T5HO System

Voltage Selections

- 12** 120V
- 27** 277V
- 34** 347V
- UV** 120-277V
- HV** 347-480V

Ballast Selections

- HI** High Ballast Factor (HBF) Electronic*
- LI** Low Ballast Factor (LBF) Electronic*
- SI** Standard Ballast Factor (NBF) Electronic*
- SI+** 1.0BF Electronic*
- PS** Programmed Start (NBF)
- PSL** Programmed Start LBF*
- PSH** Programmed Start HBF*
- PD** Programmed Start Dimming
- SDH** Step Dimming HBF (100% to 60% Dimming)*
- AX** Daylight Harvesting Ballast with remote mount photosensor*

* T8 Only

Reflector Selections

- E** Enhanced Aluminum
- W** Highly Reflective White Aluminum
- B** 95% Reflective Extreme White Aluminum

Hanging Selections

- BLANK** V-Chain Hangers
- JB** Slide-On Junction Box
- PS** Pendant Stabilizer
- QB** Quick Bracket (24", 30" or 36")
- QBH** Quick Bracket with Hook (24", 30" or 36")
- QBT** Quick Bracket for Threaded Rod (24", 30" or 36")
- QC** Quick Hang Cable (10')
- QC()** Quick Hang Cable (Specify Length)
- SPSH** 12" Stem/PS/Hook
- SPST** 12" Stem/PS/Toggle

Options Selections

- C()** Single Circuit Cord (Specify Length)
- 6T1** 6' Cord with L5-15 Locking End
- 6T2** 6' Cord with L7-15 Locking End
- E()** Emergency Pack (# Lumens)
- F** Inline Fuse
- GSK** Gasket Door Frame & Housing
- NV** No Venting in Housing
- OS()** Occupancy Sensor (Specify Lamps on Low/Lamps on High)
- SC** Safety Cable
- WG** Wire Guard
- 20G** 20 gauge NYC Standards
- CC()** Custom Color (Specify Color)
- PC** Photocell

Lamp Color Selections:

- BLANK** Lamps Not Included
- 830** 80+ CRI, 3000K
- 835** 80+ CRI, 3500K
- 841** 80+ CRI, 4100K
- 850** 80+ CRI, 5000K

Lamp Options Selections:

- HP** High Performance, Long Life Lamps*
- A** Amalgam Tip Lamps**
- TG** Tubeguarded Lamps
- SS** Shattershielded Lamps
- ES()** Energy Saver (Specify Wattage)
- XL** Long Life*

* T8 Only

** T5HO Only

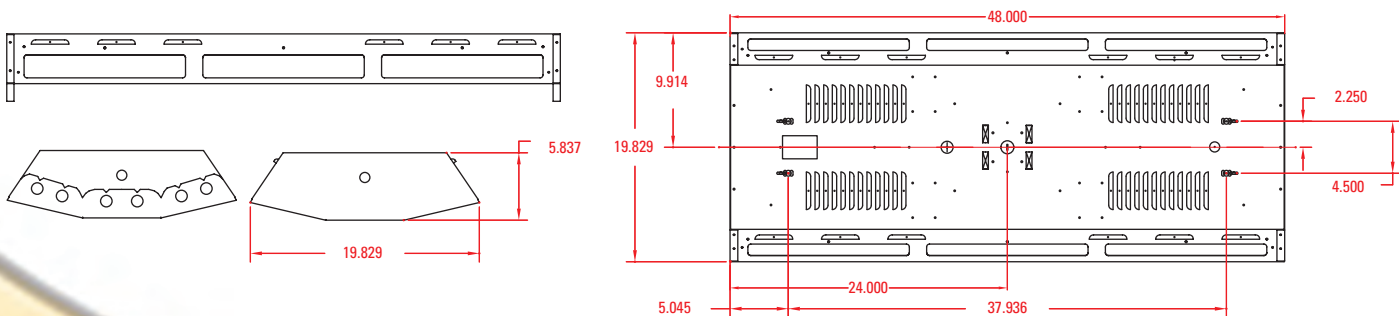
Common Fixture Selections

Catalog Number	System	# of Lamps	Wattage (120/277V)*	Initial System Lumens*	Mean System Lumens*
GU D23 454 UV 1PS E	T5HO	4	232w / 226w	20,000	19,000
GU D23 554 UV 2PS E	T5HO	5	304w / 300w	25,150	23,893
GU D23 632 UV 2HI E	T8	6	222w / 218w	21,948	21,240
GU D23 654 UV 2PS E	T5HO	6	348w / 341w	30,000	28,500

*Wattages may vary depending on the ballast manufacturer and lamp type used.

Initial and mean system lumens are the initial/mean lumen output of the lamp/ballast system as rated by lamp and ballast manufacturer and may vary from manufacturer to manufacturer.

Specifications and dimensions subject to change without notice. Contact Optimum Lighting for current availability and ordering information.



Fixture Type: _____

Catalog #: _____ Quantity: _____

Project: _____