



IFL
SERIES

Long Life Induction Flood Light

Product Description

The IFL Induction Flood Light is designed as a long life, energy efficient alternative to High Intensity Discharge fixtures. Composed of rugged die cast aluminum, the IFL is dust-tight and water-jet proof, making it ideal for a wide range of applications. Applications include parking garages/lots, retail exteriors, perimeter lighting, loading areas, tunnels, accent lighting and other wet and/or dusty locations. The IFL is also popular in any application requiring extended maintenance-free operation.

QL Induction – QL technology couples the basic principles of induction and gas discharge, thus eliminating the need for electrodes, to provide an extra long life lighting system. The lamp life of QL is rated at 100,000 hours, making it virtually maintenance free for over a decade of continuous use. Additional benefits of QL include:

- No Color Shift
- High CRI
- Wide temperature range
- Instant restart

Mounting Methods

IFL fixtures offer flexible mounting methods that include standard wall mounting, or optional mounting features increased for ease of installation.

Hangin Options Include:

- Surface Mount [Mounting holes provided in the housing] (Standard)
- Swivel Mount Bracket [SWB – Allows for Control of Direction of Light Flow] (Optional)
- Slip Fitter Bracket [SFB – for Pole Mounting] (Optional)

Product Construction

The IFL fixture housing is composed of heavy duty die cast aluminum with a decorative bronze finish.

Induction system is composed of a combination of QL lamp (discharge vessel), power coupler and High Frequency (HF) generator.

Optical Reflector system is precision brake formed of the selected aluminum material.

Lens – Standard lens is a tempered glass lens sealed to be moisture and dustproof.

Power Coupler Construction base with antenna, heat conduction rod with mounting flange and electrical coaxial connection cable.

Generator with Oscillator. Output frequency is approximately 2.65MHz. Available voltages: 100-120v or 200-277V.

Listings – All fixtures are UL and CUL listed for wet and damp locations.



 Made in the USA

EXTERIOR
FIXTURES



The Brightest Energy Solution

Phone: (800) 541-9082 Fax: (888) 214-7667 Web: www.optimumlighting.com

IFL – Fixture Ordering Information

Fixture Series	Lens	# of Lamps	Lamp Type	Voltage	# Ballasts	Ballast Type	Reflector	Hanging	Options	Lamp Color
IFL	TG	1	55	12	—	—	E	SWB	F	BLANK
			85	27			W	SFB	PC	830
			165				B			840
										850

Please Specify When Ordering:

Fixture Series	Lens	# of Lamps	Lamp Type	Voltage	# Ballasts	Ballast Type	Reflector	Hanging	Options	Lamp Color
IFL										

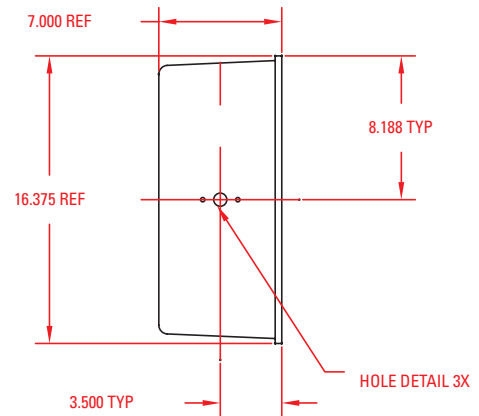
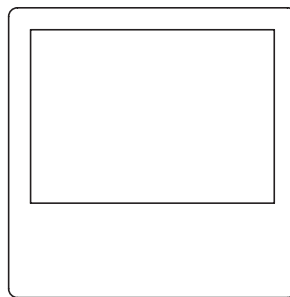
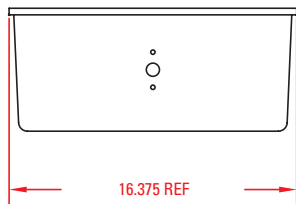
Lens Selections TG Tempered Glass Lamp Type Selections 55 QL 55w 85 QL 85w 165 QL165w	Voltage Selections 12 120V 27 277V	Reflector Selections E Enhanced Aluminum W Highly Reflective White Aluminum B 95% Reflective Extreme White Aluminum Hanging Selections SWB Swivel Mount Bracket SFB Slip Fitter Bracket	Options Selections F Inline Fuse PC Photocell	Lamp Color Selections: BLANK Lamps Not Included 830 80+ CRI, 3000K 840 80+ CRI, 4000K 850 80+ CRI, 5000K
--	---	--	--	---

Common Fixture Selections

Catalog Number	System	# of Lamps	Wattage (120/277V)*	Initial System Lumens*	Mean System Lumens*
IFL TG 155 27 E	QL	1	57w/57w	3,500	2,800
IFL TG 155 12 W	QL	1	57w/57w	3,500	2,800
IFL TG 185 27 E	QL	1	87w/87w	6,000	4,800
IFL TG 1165 12 W	QL	1	167w/167w	12,000	9,600

*Wattages may vary depending on the ballast manufacturer and lamp type used.

Initial and mean system lumens are the initial/mean lumen output of the lamp/ballast system as rated by lamp and ballast manufacturer and may vary from manufacturer to manufacturer. Specifications and dimensions subject to change without notice. Contact Optimum Lighting for current availability and ordering information.



Fixture Type: _____

Catalog #: _____ Quantity: _____

Project: _____