

## ILX/ILU SERIES

## Aesthetic Industrial High-Bay with Optional Uplight Component

### Product Description

The ILX/ILU are cross-baffled pleasing fluorescent high bays designed for aisleway lighting. The cross baffle and optional uplight component make this fixture series an ideal choice for retail applications. Applications include: supermarkets, big box retail, industrial applications & warehouses.

**Light Distribution** — Light is controlled in a narrow distribution, maximizing downlight and light levels directly below the fixture. When used in aisles with racking or shelving, turning this fixture parallel to the aisle maximizes the light hitting the floor, while minimizing light loss to the racking. Optional uplight slotting allows for even ceiling illumination.

### Mounting Methods

The ILX/ILU fixture series offers flexible mounting methods that most commonly include: standard chain hangers and surface mounting. There are several mounting options for this fixture series, and they are listed as "hanging options" below.

### Hanging Options Include:

- Surface Mount [Mounting holes provided in the housing] (Standard)
- Chain Mount [Chain hangers are supplied with the fixture] (Standard)
- Quick Cable [QC – Quick hang cable system] (Optional)

### Product Construction

The ILX/ILU fixture housing is brake formed from heavy gauge cold rolled steel. Ends and socket plates are permanently riveted together for strength and rigidity. The housing is post painted with a durable, highly reflective powder-coat finish.

**Optical Reflector** system is precision brake formed of the selected aluminum material: enhanced aluminum or highly reflective white. The one piece reflector is removable without the use of tools, using 1/4 turn fasteners to secure it in place.

**Lampholders** are made of a Polycarbonate material; these locking-style lampholders are utilized to ensure positive lamp retention. Additionally, the material contributes to a longer life product in high temperature applications.

**Baffle** Optional baffle is composed of white steel.

**Ballasts** are electronic programmed-start (T5HO) or instant-start (T8) as a standard. Optional ballasts are available, consult factory for available systems and system specifications. Available voltages: 120v, 277v, 347v, voltage sensing 120-277v and 347-480v.

**Listings** – All fixtures are UL and CUL listed.



Made in the USA

HIGH/LOW BAY  
FIXTURES



The Brightest Energy Solution

Phone: (800) 541-9082 Fax: (888) 214-7667 Web: www.optimumlighting.com

### ILX/ILU – Fixture Ordering Information

Fixture Series*1	Baffle	# of Lamps	Lamp Type	Voltage	# Ballasts	Ballast Type	Reflector	Hanging	Options	Lamp Color	Lamp Options*4
ILU	BLANK	2	32	12	1	HI	BLANK	BLANK	C ( )	BLANK	HP
ILX	B	3	54	27	2	LI	E	V	6T1	830	A
ILU T*2		4*3		34	3	SI	W	QC	6T2	835	TG
ILX T*2				UV	4	SI+	B	QC ( )	E ( )	841	SS
ILU 12T*2				HV		PS			F	850	ES ( )
ILX 12T*2						PSL			20G		XL
ILU 16T*2						PSH			SDT		
ILX 16T*2						PD			CC ( )		
						SDH					
						AX					

Please Specify When Ordering:

Fixture Series	Baffle	# of Lamps	Lamp Type	Voltage	# Ballasts	Ballast Type	Reflector	Hanging	Options	Lamp Color	Lamp Options
ILU or ILX											

\*1 ILU, ILU T, ILU 12T & ILU 16T fixtures have upright slotting.

\*2 ILUT is an 8ft Tandem fixture, ILU 12T is a 12ft Tandem fixture & ILU 16T is a 16ft Tandem fixture, # of lamps are for the profile of the fixture.

\*3 ILU available with up to 4 – T5HO/T8 lamps; ILX available with up to 4 – T8 or 3 – T5HO lamps.

\*4 Consult Factory for Manufacturer Specific Ordering Codes/Availability.

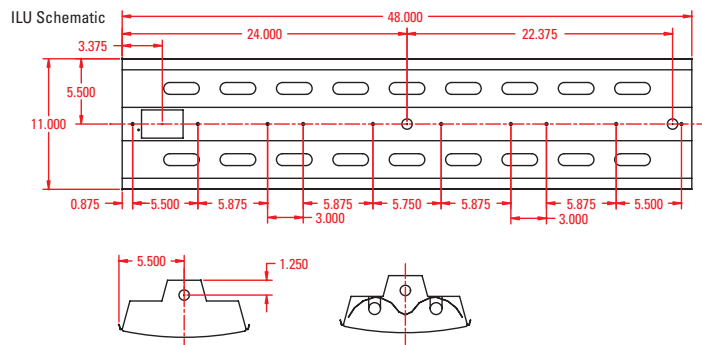
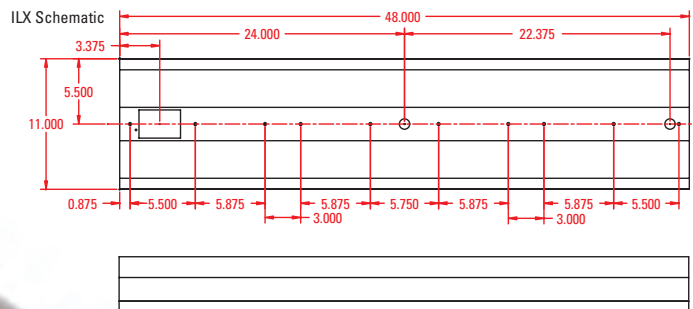
Baffle Selections	Ballast Selections	Reflector Selections	Options Selections	Lamp Color Selections:
<b>BLANK</b> No Baffle <b>B</b> Cross Baffle	<b>HI</b> High Ballast Factor (HBF) Electronic* <b>LI</b> Low Ballast Factor (LBF) Electronic* <b>SI</b> Standard Ballast Factor (NBF) Electronic* <b>SI+</b> 1.0BF Electronic* <b>PS</b> Programmed Start (NBF) <b>PSL</b> Programmed Start LBF* <b>PSH</b> Programmed Start HBF* <b>PD</b> Programmed Start Dimming <b>SDH</b> Step Dimming HBF (100% to 60% Dimming)* <b>AX</b> Daylight Harvesting Ballast with remote mount photosensor*	<b>BLANK</b> No Reflector (Standard white covers) <b>E</b> Enhanced Aluminum <b>W</b> Highly Reflective White Aluminum <b>B</b> 95% Reflective Extreme White Aluminum	<b>C ( )</b> Single Circuit Cord (Specify Length) <b>6T1</b> 6' Cord with L5-15 Locking End <b>6T2</b> 6' Cord with L7-15 Locking End <b>E ( )</b> Emergency Pack (# Lumens) <b>F</b> Inline Fuse <b>20G</b> 20 gauge NYC Standards <b>SDT</b> Step Down Transformer (480 to 277V) <b>CC ( )</b> Custom Color (Specify Color)	<b>BLANK</b> Lamps Not Included <b>830</b> 80+ CRI, 3000K <b>835</b> 80+ CRI, 3500K <b>841</b> 80+ CRI, 4100K <b>850</b> 80+ CRI, 5000K
<b>Lamp Type Selections</b> <b>32</b> F32T8 System <b>54</b> F54T5HO System	<b>Hanging Selections</b> <b>BLANK</b> Surface Mount <b>V</b> V-Chain Hangers <b>QC</b> Quick Hang Cable (10') <b>QC ( )</b> Quick Hang Cable (Specify Length)	<b>Lamp Color Selections:</b> <b>HP</b> High Performance, Long Life Lamps* <b>A</b> Amalgam Tip Lamps** <b>TG</b> Tubeguarded Lamps <b>SS</b> Shattershielded Lamps <b>ES ( )</b> Energy Saver (Specify Wattage) <b>XL</b> Long Life*		

### Common Fixture Selections

Catalog Number	System	# of Lamps	Wattage (120/277V)*	Initial System Lumens*	Mean System Lumens*
ILX B 232 UV 1LI W	T8	2	51w / 50w	4,774	4,620
ILX 254 UV 1PS E	T5HO	2	116w / 115w	10,000	9,500
ILU T 332 UV 2PSH E	T8	6	220w / 216w	21,390	20,700
ILU 16T 232 UV 2HI W	T8	8	296w / 290w	29,264	28,320

\*Wattages may vary depending on the ballast manufacturer and lamp type used.

Initial and mean system lumens are the initial/mean lumen output of the lamp/ballast system as rated by lamp and ballast manufacturer and may vary from manufacturer to manufacturer. Specifications and dimensions subject to change without notice. Contact Optimum Lighting for current availability and ordering information.



Fixture Type: \_\_\_\_\_

Catalog #: \_\_\_\_\_ Quantity: \_\_\_\_\_

Project: \_\_\_\_\_