



OTR SERIES

Aesthetic Troffer Retrofit Kit with Louver

Product Description

The OTR troffer retrofit kit is designed to offer the end user an aesthetic and cost effective way to increase the efficiency and lumen output of existing troffer fixtures.

Applications include conference rooms, offices, supermarkets and retail applications.

OTR retrofit kits are available with a variety of lamp and reflector combinations – allowing the customer to design the OTR system to meet or exceed existing light levels and customize the “look” to match their specific needs. The OTR 2x4 with FW12 louver/subframe and Diffuse White reflector is a popular fixture selection, especially for retail applications.

Mounting Methods

The OTR troffer retrofit is designed for easy installation in existing troffer fixtures. A subframe is provided for retrofit with a new efficient louver.

Product Construction

The OTR fixture’s socket bars are made from pre-painted heavy gauge cold rolled steel. They are designed to fit most standard troffer fixtures.

Optical Reflector system is precision brake formed of the selected aluminum material. The one piece reflector is removable without the use of tools, and is designed to simply snap into place.

Lampholders are made of a Polycarbonate material; these locking-style lampholders are utilized to ensure positive lamp retention. Additionally, the material contributes to a longer life product in high temperature applications.

Louver Standard 2x4 louver is a shallow, high efficiency, white 12 cell. Optional louvers are available, see ordering information. Subframe standard with all louvers.

Ballasts are electronic programmed-start (T5HO) or instant-start (T8) as a standard. Optional ballasts are available, consult factory for available systems and system specifications. Available voltages: 120v, 277v, 347v, voltage sensing 120-277v and 347-480v.

Listings – All fixtures are UL and CUL listed.
Patent Pending.



The Brightest Energy Solution

Phone: (800) 541-9082 Fax: (888) 214-7667 Web: www.optimumlighting.com

OTR – Fixture Ordering Information

Fixture Series	Louvre	Size (Ft)	# of Lamps	Lamp Type	Voltage	# Ballasts	Ballast Type	Reflector	Options	Lamp Color	Lamp Options*3
OTR	FW6	14	1	17	BLANK	BLANK	NB*2	E	E ()	BLANK	HP
	FW9	22	2	24	12	1	HI	W	F	830	A
	FW12	24	3	U31	27	2	LI	B	SDT	835	TG
	FW18		4	32	34		SI		US*2	841	SS
				U32	UV		SI+		NS	850	ES ()
				36	HV		PS				XL
				40			PSL				
				50			PSH				
				54			PD				
				55			SDH				
							AX				

Please Specify When Ordering:

Fixture Series	Louvre	Size (Ft)	# of Lamps	Lamp Type	Voltage	# Ballasts	Ballast Type	Reflector	Options	Lamp Color	Lamp Options
OTR											

*1 1x4 Fixture available with up to 2 – 32/54w lamps; 2x2 Fixture available with up to 4 – 17/24w/U31w/36/40/50/55w or 2 – U32w; 2x4 Fixture available with up to 4 – 32w/36w/40w/50w/54w/55w lamps (Consult Factory for Custom Configurations)

*2 OTR ordered with No Ballast will be shipped with Shunted Sockets, unless Unshunted Sockets are specified.

*3 Consult Factory for Manufacturer Specific Ordering Codes/Availability.

Lens Selections

- FW6 6 Cell White (1x4)
- FW9 9 Cell White (2x2)
- FW12 12 Cell White (2x4)
- FW18 18 Cell White (2x4)

Lamp Type Selections

- 17 F17T8 System
- 24 F24T5HO System
- U31 FU31T8 System
- 32 F32T8 System
- U32 FU32T8 System
- 36 FT36W/2G11 System
- 40 FT40W/2G11 System
- 50 FT50W/2G11 System
- 54 F54T5HO System
- 55 FT55W/2G11 System

Voltage Selections

- BLANK No Ballast
- 12 120V
- 27 277V
- 34 347V
- UV 120-277V
- HV 347-480V

Ballast Selections

- NB Ballast Not Included
 - HI High Ballast Factor (HBF) Electronic*
 - LI Low Ballast Factor (LBF) Electronic*
 - SI Standard Ballast Factor (NBF) Electronic**
 - SI+ 1.0BF Electronic*
 - PS Programmed Start (NBF)
 - PSL Programmed Start LBF*
 - PSH Programmed Start HBF***
 - PD Programmed Start Dimming
 - SDH Step Dimming HBF (100% to 60% Dimming)*
 - AX Daylight Harvesting Ballast with remote mount photosensor*
- * T8 Only
 ** T8 & 40w Biax Only
 *** T8, 36, 40 & 50w Biax Only

Reflector Selections

- E Enhanced Aluminum
- W Highly Reflective White Aluminum
- B 95% Reflective Extreme White Aluminum

Options Selections

- E () Emergency Pack (# Lumens)
- F Inline Fuse
- SDT Step Down Transformer (480 to 277V)
- US Unshunted Sockets
- NS No Sockets

Lamp Color Selections

- BLANK Lamps Not Included
- 830 80+ CRI, 3000K
- 835 80+ CRI, 3500K
- 841 80+ CRI, 4100K
- 850 80+ CRI, 5000K

Lamp Options Selections

- HP High Performance, Long Life Lamps*
- A Amalgam Tip Lamps**
- TG Tubeguarded Lamps
- SS Shattershielded Lamps
- ES () Energy Saver (Specify Wattage)***
- XL Long Life*

* T8 Only
 ** T5HO Only
 *** 32,U32,40,54w Only

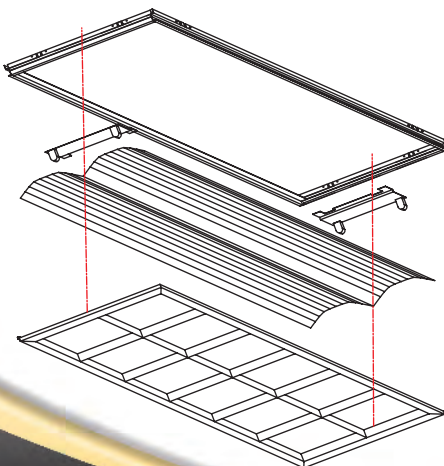
Common Fixture Selections

Catalog Number	System	# of Lamps	Wattage (120/277V)*	Initial System Lumens*	Mean System Lumens*
OTR FW9 22 117 UV 1LI E	T8	1	14w/14w	1,185	1,146
OTR FW12 24 232 UV 1HI W	T8	2	74w/73w	7,130	6,900
OTR FW12 24 254 UV 1PS B	T5HO	2	116w/115w	10,000	9,500
OTR FW12 24 432 UV 1HI E	T8	4	148w/145w	14,632	14,160

*Wattages may vary depending on the ballast manufacturer and lamp type used.

Initial and mean system lumens are the initial/mean lumen output of the lamp/ballast system as rated by lamp and ballast manufacturer and may vary from manufacturer to manufacturer.

Specifications and dimensions subject to change without notice. Contact Optimum Lighting for current availability and ordering information.



Fixture Type: _____

Catalog #: _____ Quantity: _____

Project: _____