



OVW SERIES

General Area Light Distribution High-Bay Vaportight

Product Description

This highly durable, weatherproof high bay fixture is designed to withstand harsh conditions. The Wide Vaportight design allows the OVW to be outfitted with up to 6 lamps – making it an ideal HID replacement in cold, harsh and wet conditions. The custom interior reflector design allows for the widest light distribution pattern. This fixture was engineered for optimal light output and directional throw using higher quantities of T8 or T5 lamps. The OVW is excellent for general areas or aisles when mounted perpendicular to the aisle.

Applications include: parking garages, tunnels, car washes, subways, food processing facilities, pools, cold storage and washbays.

Light Distribution - Linear prisms along each side of the polycarbonate lens allow for even light distribution, while frosting on ends of lens reduces effects of glare.

Heat Retention – The fixture housing and reflector are customized to manipulate heat retention within the fixture, and provide interior fixture conditions conducive to maximum lumen output for each given application temperature.

Mounting Methods

OVW fixtures come standard with two mounting brackets, meant to be used in conjunction with chain or optional gripple hangers. This mounting option allows the fixture to be hung without holes being drilled through the housing, thus maintaining the fixture's IP ratings and integrity.

An optional surface mounting bracket (SMB) is also available.

Product Construction

The OVW's housing is constructed of highly durable fiberglass, while the standard diffuser is heavy-duty injection molded polycarbonate. The diffuser and upper components are locked into place by retaining latches, assuring a secure, tight seal.

Optical Reflector system is precision brake formed of the selected aluminum material. Both the interior gear tray and reflector are designed for easy installation and removal.

Lampholders are made of a Polycarbonate material; these locking-style lampholders are utilized to ensure positive lamp retention. Additionally, the material contributes to a longer life product in high temperature applications.

Lens Standard lens is heavy duty injection molded, UV-stabilized polycarbonate designed for temperature extremes and durability. Optional Impact Resistant DR Acrylic Lens is also available.

Lamps Optimum Lighting recommends the use of Amalgam Tip or arctic lamps, which tolerate a much broader range of ambient temperature extremes with minimal impact on lumen output, in reduced temperature environments. In high temperatures, Optimum Lighting recommends the use of Amalgam Tip lamps.

Ballasts are electronic programmed-start (T5HO) or instant-start (T8) as a standard. Optional ballasts are available, consult factory for available systems and system specifications. Available voltages: 120v, 277v, 347v, voltage sensing 120-277v and 347-480v.

Listings – All fixtures are UL and CUL listed, IP67. 5VA Flammability rating in accordance with UL94 and (f1) in accordance with UL746.



 Made in the USA

VAPOR/VANDAL
FIXTURES



The Brightest Energy Solution

Phone: (800) 541-9082 Fax: (888) 214-7667 Web: www.optimumlighting.com

OVW – Fixture Ordering Information

Fixture Series	Temperature*1	Lens	# of Lamps	Lamp Type	Voltage	# Ballasts	Ballast Type	Reflector	Hanging	Options	Lamp Color	Lamp Options*2
OVW	SPECIFY	DPC	3	32	12	1	HI	E	BLANK	C ()	BLANK	HP
		DRI	4	54	27	2	LI	W	V	6T1	830	A*3
			5		34	3	SI	B	QC	6T2	835	TG*4
			6		UV		SI+		QC ()	E ()	841	SS*4
					HV		PS		SMB	F	850	ES ()
							PSL			OS ()		
							PSH			SDT		
							PD			PC		
							SDH					

Please Specify When Ordering:

Fixture Series Temperature Lens # of Lamps Lamp Type Voltage # Ballasts Ballast Type Reflector Hanging Options Lamp Color Lamp Options

OVW												
------------	--	--	--	--	--	--	--	--	--	--	--	--

*1 Advise Optimum Lighting of temperature of application where OVW will be installed, so Optimum can make recommendations to protect fixture against overheating and/or associated light loss & lamp/ballast failure.

*2 Consult Factory for Manufacturer Specific Ordering Codes/Availability.

*3 Optimum Lighting recommends the use of amalgam tip lamps in extreme temperature & for 5/6L applications.

*4 Use in lensed fixtures is limited. Contact factory for specific application details.

Lens Selections

- DPC** Polycarbonate
- DRI** Impact Resistant DR Acrylic

Lamp Type Selections

- 32** F32T8 System
- 54** F54T5HO System

Voltage Selections

- 12** 120V
- 27** 277V
- 34** 347V
- UV** 120-277V
- HV** 347-480V

Ballast Selections

- HI** High Ballast Factor (HBF) Electronic*
- LI** Low Ballast Factor (LBF) Electronic*
- SI** Standard Ballast Factor (NBF) Electronic*
- SI+** 1.0BF Electronic*
- PS** Programmed Start (NBF)
- PSL** Programmed Start LBF*
- PSH** Programmed Start HBF*
- PD** Programmed Start Dimming
- SDH** Step Dimming HBF (100% to 60% Dimming)*

* T8 Only

Reflector Selections

- E** Enhanced Aluminum
- W** Highly Reflective White Aluminum
- B** 95% Reflective Extreme White Aluminum

Hanging Selections

- Blank** Standard Mounting Brackets for Chain Mount
- V** V-Chain Hangers
- QC** Quick Hang Cable (10')
- QC ()** Quick Hang Cable (Specify Length)
- SMB** Surface Mount Bracket

Options Selections

- C ()** Single Circuit Cord (Specify Length)
- 6T1** 6' Cord with L5-15 Locking End
- 6T2** 6' Cord with L7-15 Locking End
- E ()** Emergency Pack (# Lumens)
- F** Inline Fuse
- OS ()** Occupancy Sensor (Specify Lamps on Low/Lamps on High)
- SDT** Step Down Transformer (480 to 277V)
- PC** Photocell

Lamp Color Selections

- BLANK** Lamps Not Included
- 830** 80+ CRI, 3000K
- 835** 80+ CRI, 3500K
- 841** 80+ CRI, 4100K
- 850** 80+ CRI, 5000K

Lamp Options Selections

- HP** High Performance, Long Life Lamps*
- A** Amalgam Tip Lamps**
- TG** Tubeguarded Lamps
- SS** Shattershielded Lamps
- ES ()** Energy Saver (Specify Wattage)

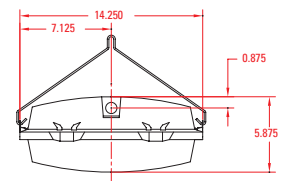
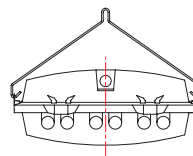
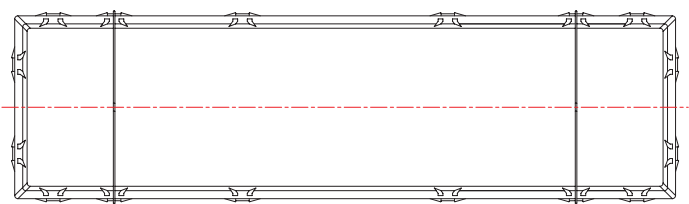
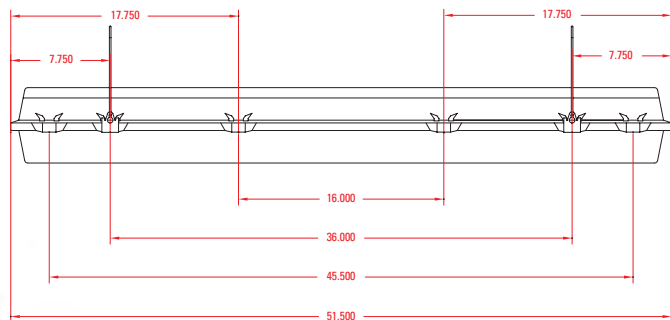
* T8 Only
** T5HO Only

Common Fixture Selections

Catalog Number	System	# of Lamps	Wattage (120/277V)*	Initial System Lumens*	Mean System Lumens*
OVW (50F) DRI 354 UV 1PS W	T5HO(Amalgam)	3	188w/185w	14,847	14,105
OVW (35F) DRI 454 UV 1PS E	T5HO(Amalgam)	4	232w/226w	19,600	18,620
OVW (-10F) 454 UV 1PS E	T5HO(Amalgam)	4	232w/226w	19,600	18,620
OVW (-15F) 554 UV 2PS E	T5HO(Amalgam)	5	304w/300w	24,647	23,415

*Wattages may vary depending on the ballast manufacturer and lamp type used.

Initial and mean system lumens are the initial/mean lumen output of the lamp/ballast system as rated by lamp and ballast manufacturer and may vary from manufacturer to manufacturer. Specifications and dimensions subject to change without notice. Contact Optimum Lighting for current availability and ordering information.



Fixture Type: _____

Catalog #: _____ Quantity: _____

Project: _____