



## S SERIES

# High Efficiency Fluorescent Strip

### Product Description

A high efficiency fluorescent strip style fixture that provides an economical solution for exceptional light distribution in general areas.

Applications include: warehouses, manufacturing facilities, open construction retail, store displays, coves, aisle lighting and valances.

The S series is versatile and allows flexibility in design. With standard and custom reflectors available, the S series can be designed to distribute the light where it is needed. Other options, including emergency battery back-up and 14 gauge wire guard, further enhance the usability of this economical fixture series.

### Mounting Methods

S fixtures offer flexible mounting methods that most commonly include: standard pendant and surface mounting. There are other mounting options for this fixture series, and they are listed as "hanging options" below.

#### Hanging Options Include:

- Surface Mount [Mounting holes provided in the housing] (Standard)
- Chain Mount [V Chain hangers] (Optional)
- Quick Cable [QC – Quick hang cable system] (Optional)
- Slide Hanger [SH – Slide Hangers] (Optional)

### Product Construction

The S fixture housing is brake formed from heavy gauge cold rolled steel. Ends and socket plates snap in place to form a rigid finished product, ends may also be riveted or screwed in place for additional strength. The housing is white with a durable, highly reflective finish.

**Optical Reflector** system (optional) is precision brake formed of the selected aluminum material. The one piece reflector is removable without the use of tools.

**Lampholders** are made of a Polycarbonate material; these locking-style lampholders are utilized to ensure positive lamp retention. Additionally, the material contributes to a longer life product in high temperature applications.

**Ballasts** are electronic programmed-start (T5HO) or instant-start (T8) as a standard. Optional ballasts are available, consult factory for available systems and system specifications. Available voltages: 120v, 277v, 347v, voltage sensing 120-277v and 347-480v.

**Listings** – All fixtures are UL and CUL listed.

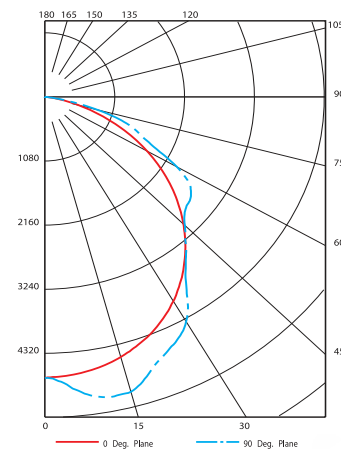
### Photometric Data

LTL NUMBER: 09678  
CAT#: S 132 12 1SI E 835

#### ZONAL LUMEN SUMMARY

ZONE	LUMENS	% LAMP	% FIXT
0-30	805	28.2	29.8
0-40	1303	45.7	48.3
0-60	2109	74.0	78.1
0-90	2692	94.5	99.7
90-180	8	0.3	0.3
0-180	2700	94.7	100.0

TOTAL LUMINAIRE EFFICIENCY:	94.7%	
CIE TYPE:	DIRECT	
PLANE:	0-DEG	90-DEG
SPACING CRITERIA:	1.2	1.3



Made in the USA

**INDUSTRIAL  
& STRIP  
FIXTURES**



The Brightest Energy Solution

Phone: (800) 541-9082 Fax: (888) 214-7667 Web: www.optimumlighting.com

### S – Fixture Ordering Information

Fixture Series	# of Lamps	Lamp Type	Voltage	# Ballasts	Ballast Type	Reflector	Reflector Options	Hanging	Options	Lamp Color	Lamp Options*2
S	1	17	12	1	HI	E	(S)	V	E ( )	BLANK	HP
S 6T*1	2	24	27	2	LI	W	(I)	QC	F	830	A
ST*2	3	25	34	3	SI	B	(WW)*3	QC ( )	OS ( )	835	TG
S 12T*2		32	UV		SI+	BLANK*3	(AS)	SH	WG	841	SS
S 16T*2		39	HV		PS		(C)		WWG	850	ES ( )
S 20T*2		54			PSL				20G		XL
S 24T*2					PSH				SDT		
					PD				U(%)		
					SDH				GV		
					AX				PC		

Please Specify When Ordering:

Fixture Series	# of Lamps	Lamp Type	Voltage	# Ballasts	Ballast Type	Reflector	Reflector Options	Hanging	Options	Lamp Color	Lamp Options
S											

\*1 S 6T is a 6ft Tandem fixture, # of lamps are for the profile of the fixture (3' lamps).

\*2 ST is an 8ft Tandem fixture, S 12T is a 12ft Tandem fixture, S 16T is a 16ft Tandem fixture, S 20T is a 20ft Tandem fixture & S 24T is a 24ft Tandem fixture, # of lamps are for the profile of the fixture (4' lamps)

\*3 Reflector type does not need to be specified for Wall Wash Reflector Design, which comes Standard in White Steel. Alternate Reflector materials available as an overlay only.

\*4 Consult Factory for Manufacturer Specific Ordering Codes/Availability.

#### Lamp Type Selections

- 17 F17T8 System
- 24 F24T5HO System
- 25 F25T8 System
- 32 F32T8 System
- 39 F39T5HO System
- 54 F54T5HO System

#### Voltage Selections

- 12 120V
- 27 277V
- 34 347V
- UV 120-277V
- HV 347-480V

#### Ballast Selections

- HI High Ballast Factor (HBF) Electronic\*
- LI Low Ballast Factor (LBF) Electronic\*

(Continued in next column)

#### SI Standard Ballast Factor (NBF) Electronic\*

- SI+ 1.0BF Electronic\*
- PS Programmed Start (NBF)
- PSL Programmed Start LBF\*
- PSH Programmed Start HBF\*
- PD Programmed Start Dimming
- SDH Step Dimming HBF (100% to 60% Dimming)\*
- AX Daylight Harvesting Ballast with remote mount photosensor\*

\* T8 Only

#### Hanging Selections

- V Caddy Chain Hangers
- QC Quick Hang Cable (10')
- QC ( ) Quick Hang Cable (Specify Length)
- SH Slide Hangers

#### Reflector Selections

- E Enhanced Aluminum
- W Highly Reflective White Aluminum
- B 95% Reflective Extreme White Aluminum
- Blank Wall Wash without Overlay (White Steel)

#### Reflector Options

- (S) Standard
- (I) Industrial
- (WW) Wall Wash
- (AS) Asymmetrical
- (C) Custom (Accurate Drawings/Description Needed)

#### Options Selections

- E ( ) Emergency Pack (# Lumens)
- F Inline Fuse
- OS ( ) Occupancy Sensor (Specify Lamps on Low/Lamps on High)
- WG Wireguard
- WWG White Wireguard
- 20G 20 gauge NYC Standards
- SDT Step Down Transformer (480 to 277V)
- U ( ) Uplight (Specify %)
- GV Galvanized Finish
- PC Photocell

#### Lamp Color Selections

- BLANK Lamps Not Included
- 830 80+ CRI, 3000K
- 835 80+ CRI, 3500K
- 841 80+ CRI, 4100K
- 850 80+ CRI, 5000K

#### Lamp Options Selections

- HP High Performance, Long Life Lamps\*
- A Amalgam Tip Lamps\*\*
- TG Tubeguarded Lamps
- SS Shattershielded Lamps
- ES ( ) Energy Saver (Specify Wattage)
- XL Long Life\*

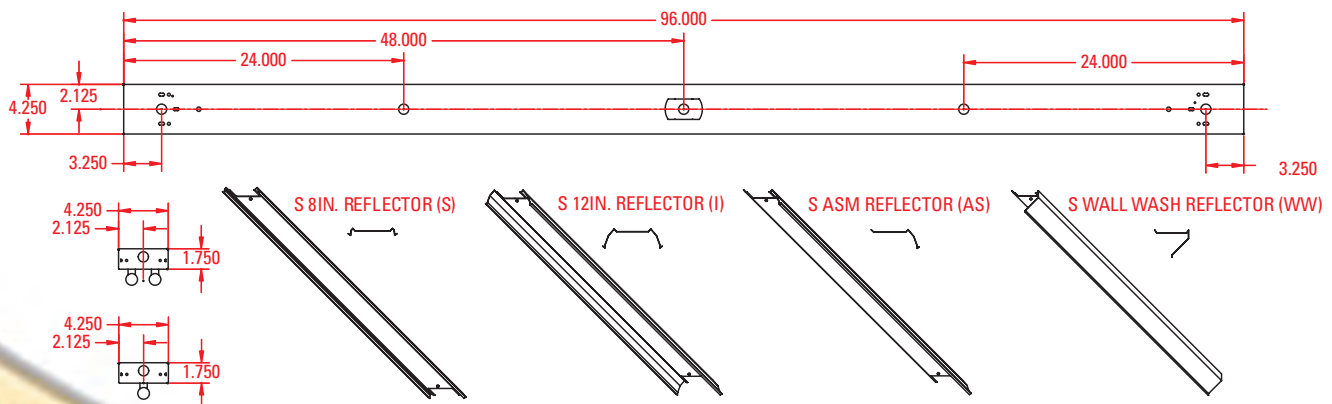
\* T8 Only  
\*\* T5HO Only

### Common Fixture Selections

Catalog Number	System	# of Lamps	Wattage (120/277V)*	Initial System Lumens*	Mean System Lumens*
S 232 UV 1HI E(S)	T	2	74w/73w	7,130	6,900
S 254 UV 1PS E(AS)	T5HO	2	116w/115w	10,000	9,500
ST 232 UV 1HI W(I)	T8	4	148w/145w	14,632	14,160
S 24T 132 UV 1SDH WW	T8	6	221w / 215w	21,948	21,240

\*Wattages may vary depending on the ballast manufacturer and lamp type used.

Initial and mean system lumens are the initial/mean lumen output of the lamp/ballast system as rated by lamp and ballast manufacturer and may vary from manufacturer to manufacturer. Specifications and dimensions subject to change without notice. Contact Optimum Lighting for current availability and ordering information.



Fixture Type: \_\_\_\_\_

Catalog #: \_\_\_\_\_ Quantity: \_\_\_\_\_

Project: \_\_\_\_\_