



**SB**  
SERIES

## Alternative Aesthetic Surface Box

### Product Description

The SB fixture is an aesthetically-pleasing surface box that provides alternatives for both new construction and replacement fixtures. This flush mounted unit is perfect for any application involving ceiling structures that should not be disturbed. Available in several different sizes, the SB is a suitable replacement for any 2X2, 1X4 or 2X4. The SB is an efficient alternative to High Intensity Discharge fixtures, and is an excellent selection for any area requiring a surface mounted fixture.

Applications include: retail, schools, hotels, offices (with tight space constraints or ceiling heights), any area where plenum does not permit recessed fixture mounting, manufacturing, and gymnasiums with the Lexan safety option.

SB fixtures are available with a variety of lens/louver and reflector combinations – allowing the customer to maximize efficiency and customize the “look” to meet their specific needs. Optimum Lighting recommends the coupling of the D23 lens with Enhanced Specular reflector – as a way to maximize lumen output and fixture efficiency.

### Mounting Methods

The SB fixture is manufactured with all the knockouts necessary for standard surface mounting.

### Product Construction

The SB fixture housing is brake formed from heavy gauge cold rolled steel. Ends are permanently riveted to housing for strength and rigidity. The housing is postpainted with a durable, highly reflective powder coat finish.

**Optical Reflector** system is precision brake formed of the selected aluminum material. The one piece reflector is removable without the use of tools.

**Finish** Standard finish on this fixture’s housing is a white powdercoat. Uniquely, this fixture is available in a wide range of custom colors. Pick from hundreds of colors or supply your own Pantone Color swatch.

**Lampholders** are made of a Polycarbonate material; these locking-style lampholders are utilized to ensure positive lamp retention. Additionally, the material contributes to a longer life product in high temperature applications. Compact fluorescent lampholders are standard 2G11 base snap-in type.

**Lens** Standard lens is a high dispersion, high efficiency 23 pattern clear acrylic. Optional lenses are available, see ordering information.

**Ballasts** are electronic programmed-start (T5HO) or instant-start (T8) as a standard. Optional ballasts are available, consult factory for available systems and system specifications. Available voltages: 120v, 277v, 347v, voltage sensing 120-277v and 347-480v.

**Listings** – All fixtures are UL and CUL listed.



Made in the USA

**SURFACE**  
FIXTURES



The Brightest Energy Solution

Phone: (800) 541-9082 Fax: (888) 214-7667 Web: www.optimumlighting.com

SB – Fixture Ordering Information

Fixture Series	Lens	Size (FT)	# of Lamps*1	Lamp Type	Voltage	# Ballasts	Ballast Type	Reflector	Options	Lamp Color	Lamp Options*2
SB	D12	14	1	17	12	1	HI	E	C ( )	BLANK	HP
	D125	22	2	24	27	2	LI	W	6T1	830	A
	D23	24	3	U31	34	3	SI	B	6T2	835	TG*3
	DL1		4	32	UV		SI+		E ( )	841	SS*3
	DL2		5	U32	HV		PS		F	850	ES ( )
	CAL1		6	36			PSL		NV		XL
			8	40			PSH		GSK		
				50			PD		OS ( )		
				54			SDH		WG		
				55			AX		20G		
									SDT		
									PC		

Please Specify When Ordering:

Fixture Series	Lens	Size (FT)	# of Lamps	Lamp Type	Voltage	# Ballasts	Ballast Type	Reflector	Options	Lamp Color	Lamp Options
SB											

\*1 1x4 Fixture available with up to 3 – 32/54w lamps; 2x2 Fixture available with up to 6 – 17/24w, 2 – U32w, 4 – U31w & 5 – 36/40/50/55w lamps; 2x4 Fixture available with up to 6 – 32w/54w lamps & 8 – 36/40/50/55w lamps

\*2 Consult Factory for Manufacturer Specific Ordering Codes/Availability.

\*3 Use in lensed fixtures is limited. Contact factory for specific application details.

Lens Selections

- D12 Standard Prismatic
- D125 0.125" Prismatic
- D23 23 Pattern High Dispersion, High Efficiency
- DL1 0.118" Clear Lexan
- DL2 0.220" Clear Lexan
- CAL1 0.118" Clear Acrylic

Voltage Selections

- 12 120V
- 27 277V
- 34 347V
- UV 120-277V
- HV 347-480V

- SDH Step Dimming HBF (100% to 60% Dimming)\*
- AX Daylight Harvesting Ballast with remote mount photosensor\*

\* T8 Only  
 \*\* T8 & 40w Biax Only  
 \*\*\* T8, 36, 40 & 50w Biax Only

Options Selections

- C ( ) Single Circuit Cord (Specify Length)
- 6T1 6' Cord with L5-15 Locking End
- 6T2 6' Cord with L7-15 Locking End
- E ( ) Emergency Pack (# Lumens)
- F Inline Fuse
- NV No Venting in housing
- GSK Gasket Door Frame & Housing
- OS ( ) Occupancy Sensor (Specify Lamps on Low/Lamps on High)
- WG Wireguard
- 20G 20 gauge NYC Standards
- SDT Step Down Transformer (480 to 277V)
- PC Photocell

Lamp Color Selections

- BLANK Lamps Not Included
- 830 80+ CRI, 3000K
- 835 80+ CRI, 3500K
- 841 80+ CRI, 4100K
- 850 80+ CRI, 5000K\*

\*T8, T5HO & 40w BX Only

Lamp Type Selections

- 17 F17T8 System
- 24 F24T5HO System
- U31 FB31T8 1-5/8" U-Bent System
- 32 F32T8 System
- U32 FB32T8 6" U-Bent System
- 36 FT36W/2G11 System
- 40 FT40W/2G11 System
- 50 FT50W/2G11 System
- 54 F54T5HO System
- 55 FT55W/2G11 System

Ballast Selections

- HI High Ballast Factor (HBF) Electronic\*
- LI Low BF (LBF) Electronic\*
- SI Standard BF (NBF) Electronic\*\*
- SI+ 1.0 BF Electronic\*
- PS Programmed Start NBF
- PSL Programmed Start LBF\*
- PSH Programmed Start HBF\*\*\*
- PD Programmed Start Dimming

(Continued in next column)

Reflector Selections

- E Enhanced Aluminum
- W Highly Reflective White Aluminum
- B 95% Reflective Extreme White Aluminum

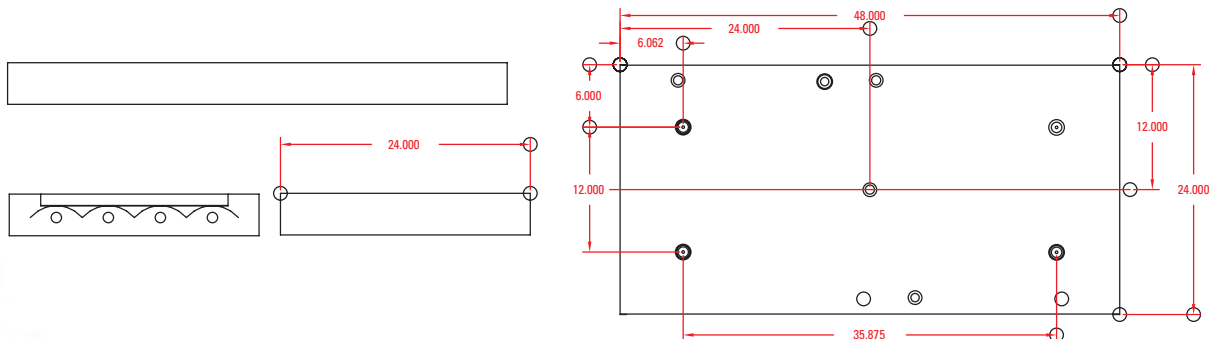
Common Fixture Selections

Catalog Number	System	# of Lamps	Wattage (120/277V)*	Initial System Lumens*	Mean System Lumens*
SB D23 24 454 UV 1PS E	T5HO	4	232w/226w	20,000	19,000
SB DL1 24 554 UV 2PS E	T5HO	5	304w / 300w	25,150	23,893
SB D125 22 617 UV 2PS W	T8	6	94w/94w	8,100	7,830
SB D12 24 632 UV 2HI E	T8	6	222w/218w	21,948	21,240

\*Wattages may vary depending on the ballast manufacturer and lamp type used.

Initial and mean system lumens are the initial/mean lumen output of the lamp/ballast system as rated by lamp and ballast manufacturer and may vary from manufacturer to manufacturer.

Specifications and dimensions subject to change without notice. Contact Optimum Lighting for current availability and ordering information.



Fixture Type: \_\_\_\_\_

Catalog #: \_\_\_\_\_ Quantity: \_\_\_\_\_

Project: \_\_\_\_\_