

SMP
SERIES

High Efficiency Miniature Fluorescent Strip

Product Description

A high efficiency fluorescent strip style fixture that provides an economical solution for exceptionally tight spaces. This miniature sized strip housing can fit conveniently under selves or inside valance covers. The SMP offers great light distribution for this type of application. The narrow design allows this fixture to be utilized in areas with tight installation requirements.

Applications include: Light boxes, Valances Areas, Shelf Lighting, Ceiling Coves, manufacturing line facilities, store displays.

Mounting Methods

SMP fixtures are outfitted with all mounting holes necessary for standard surface mounting.

Product Construction

The SMP fixture housing is brake formed from heavy gauge cold rolled steel. The housing is white with a durable, highly reflective finish.

Lampholders are made of a Polycarbonate material; these locking-style lampholders are utilized to ensure positive lamp retention. Additionally, the material contributes to a longer life product in high temperature applications.

Ballasts are electronic instant-start (T5) as a standard. Available voltages: 120v.

Listings – All fixtures are UL and CUL listed.



 Made in the USA

**INDUSTRIAL
& STRIP
FIXTURES**



The Brightest Energy Solution

Phone: (800) 541-9082 Fax: (888) 214-7667 Web: www.optimumlighting.com

SMP – Fixture Ordering Information

Fixture Series	# of Lamps	Lamp Type	Voltage	# Ballasts	Ballast Type	Reflector	Options	Lamp Color	Lamp Options*1
SMP	1	32	12	1	HI	E	C ()	BLANK	HP
		54	27		LI	W	6T1	830	A
			34		SI	B	6T2	835	TG
			UV		SI+	F	841	SS	
			HV		PS	SC	850	ES ()	
					PSL			XL	
					PSH				
					PD				
					SDH				

Please Specify When Ordering:

Fixture Series	# of Lamps	Lamp Type	Voltage	# Ballasts	Ballast Type	Reflector	Options	Lamp Color	Lamp Options
SMP									

*1 Consult Factory for Manufacturer Specific Ordering Codes/Availability.

Lamp Type Selections

- 32 F32T8 System
- 54 F54T5HO System

Voltage Selections

- 12 120V
- 27 277V
- 34 347V
- UV 120-277V
- HV 347-480V

Ballast Selections

- HI High Ballast Factor (HBF) Electronic*
- LI Low Ballast Factor (LBF) Electronic*
- SI Standard Ballast Factor (NBF) Electronic*
- SI+ 1.0BF Electronic*
- PS Programmed Start (NBF)
- PSL Programmed Start LBF*
- PSH Programmed Start HBF*
- PD Programmed Start Dimming
- SDH Step Dimming HBF (100% to 60% Dimming)*

* T8 Only

Reflector Selections

- E Enhanced Aluminum
- W Highly Reflective White Aluminum
- B 95% Reflective Extreme White Aluminum

Options Selections

- C () Single Circuit Cord (Specify Length)
- 6T1 6' Cord with L5-15 Locking End
- 6T2 6' Cord with L7-15 Locking End
- F Inline Fuse
- SC Security Cable

Lamp Color Selections

- BLANK Lamps Not Included
- 830 80+ CRI, 3000K
- 835 80+ CRI, 3500K
- 841 80+ CRI, 4100K
- 850 80+ CRI, 5000K

Lamp Options Selections

- HP High Performance, Long Life Lamps*
- A Amalgam Tip Lamps**
- TG Tubeguarded Lamps
- SS Shattershielded Lamps
- ES () Energy Saver (Specify Wattage)
- XL Long Life*

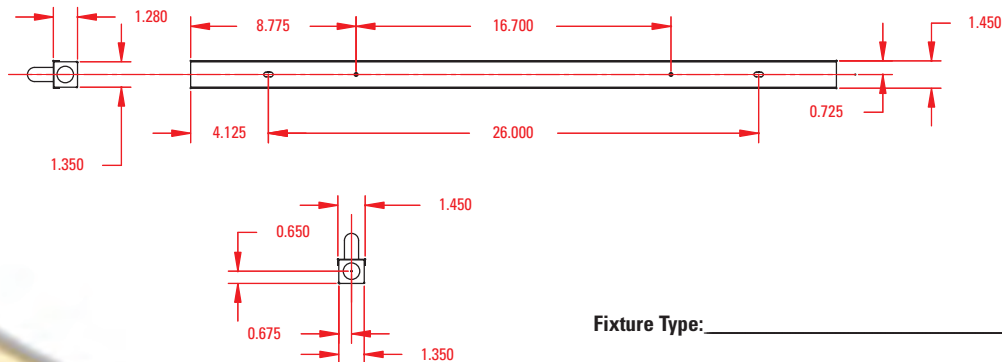
* T8 Only
** T5HO Only

Common Fixture Selections

Catalog Number	System	# of Lamps	Wattage (120/277V)*	Initial System Lumens*	Mean System Lumens*
SMP 132 UV 1LI W	T8	1	25w/25w	2,387	2,310
SMP 132 UV 1HI E	T8	1	40w/41w	3,565	3,450
SMP 154 UV 1PS W	T5HO	1	71w/71w	5,600	5,320
SMP 154 UV 1PS E	T5HO	1	71w/71w	5,600	5,320

*Wattages may vary depending on the ballast manufacturer and lamp type used.

Initial and mean system lumens are the initial/mean lumen output of the lamp/ballast system as rated by lamp and ballast manufacturer and may vary from manufacturer to manufacturer. Specifications and dimensions subject to change without notice. Contact Optimum Lighting for current availability and ordering information.



Fixture Type: _____

Catalog #: _____ Quantity: _____

Project: _____