



SMS SERIES

Durable Surface/Valance Mount Fluorescent

Product Description

Designed for smaller, tight spaces or to be hidden from sight in valance or under-shelf applications, the SMS performs perfectly in areas requiring high light level delivery. Wide opening fixture mouth with optional reflectors offer great light spread and throw with the use of a single lamp. This fixture is available in several different lengths that meet custom case design criteria. Most notable about this fixture is the heavy wireguard that can be affixed to the front fixture opening. This adds an additional safety feature offering protection for the lamp in tight design spaces.

The standard SMS includes a Standard White Reflector, but Enhanced Specular and Amwhite reflectors are available upon request for increased distribution and efficiency.

Applications include cove lighting, display boxes, valances, specialty wall wash applications, shelving units, cabinetry, store displays and anywhere space is limited and resistance to impact is important.

Mounting Methods

The SMS fixture is manufactured with all the knockouts necessary for standard surface/corner mounting.

Product Construction

The SMS fixture housing is die formed from heavy gauge cold rolled steel. Exterior surfaces are finished with highly reflective (92.2%) white paint.

Optical Reflector system is precision brake formed of the selected aluminum material.

Lampholders are made of a Polycarbonate material; these locking-style lampholders are utilized to ensure positive lamp retention. Additionally, the material contributes to a longer life product in high temperature applications.

Wireguard is available in either highly polished aluminum or highly reflective white finishes.

Ballasts are electronic programmed-start (T5HO) as a standard. Available voltages: 120v, 277v, 347v, voltage sensing 120-277v and 347-480v.

Listings – All fixtures are UL and CUL listed.





The Brightest Energy Solution

Phone: (800) 541-9082 Fax: (888) 214-7667 Web: www.optimumlighting.com

SMS – Fixture Ordering Information

Fixture Series	# of Lamps	Lamp Type	Voltage	# Ballasts	Ballast Type	Reflector	Options	Lamp Color	Lamp Options*1
SMS	1	24	12	1	PS	SWR	C (2',HWL)	BLANK	SS
			27			E	WG	830	
			34			W	WWG	835	
			UV			B	SDT	841	
			HV				20G	850	

Please Specify When Ordering:

Fixture Series	# of Lamps	Lamp Type	Voltage	# Ballasts	Ballast Type	Reflector	Options	Lamp Color	Lamp Options
SMS									

*1 Consult Factory for Manufacturer Specific Ordering Codes/Availability.

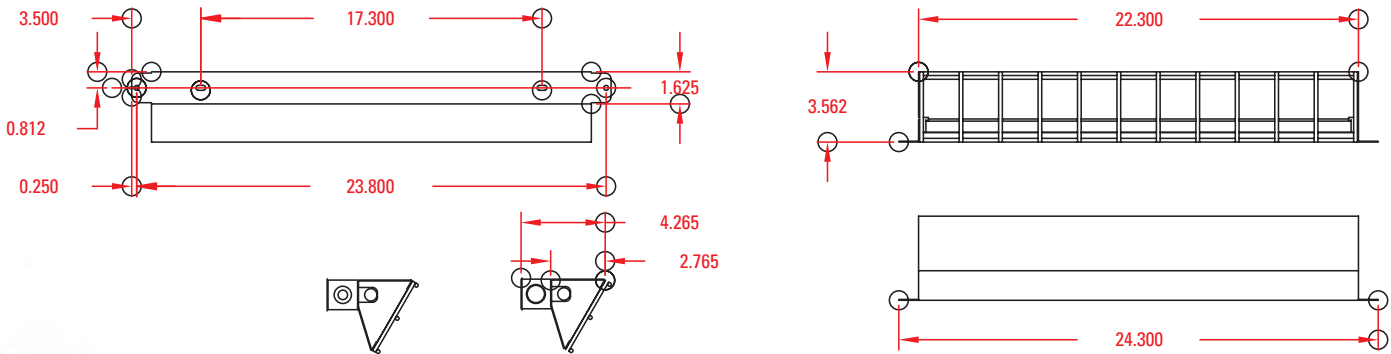
Lamp Type Selections 24 F24T5HO System	Ballast Selections PS Programmed Start NBF	Options Selections C(2',HWL) Single Circuit Cord (Specify Length) WG Aluminum Wireguard WWG White Wireguard SDT Step Down Transformer (480 to 277V) 20G 20 gauge NYC Standards	Lamp Color Selections BLANK Lamps Not Included 830 80+ CRI, 3000K 835 80+ CRI, 3500K 841 80+ CRI, 4100K 850 80+ CRI, 5000K	Lamp Options Selections SS Shattershielded
Voltage Selections 12 120V 27 277V 34 347V UV 120-277V HV 347-480V	Reflector Selections SWR Steel White Reflector E Enhanced Aluminum W Highly Reflective White Aluminum B 95% Reflective Extreme White Aluminum			

Common Fixture Selections

Catalog Number	System	# of Lamps	Wattage (120/277V)*	Initial System Lumens*	Mean System Lumens*
SMS 124 UV 1PS SWR E	T5HO	1	27	2,040	1,938
SMS 124 UV 1PS SWR W	T5HO	1	27	2,040	1,938

*Wattages may vary depending on the ballast manufacturer and lamp type used.

Initial and mean system lumens are the initial/mean lumen output of the lamp/ballast system as rated by lamp and ballast manufacturer and may vary from manufacturer to manufacturer. Specifications and dimensions subject to change without notice. Contact Optimum Lighting for current availability and ordering information.



Fixture Type: _____

Catalog #: _____ Quantity: _____

Project: _____