

## SR SERIES

### Strip Retrofit Kit

#### Product Description

The SR strip retrofit kit is designed to offer the end user a cost effective way to increase the efficiency and lumen output of existing strip fixtures. Custom fabricated for the existing channel width, the SR conversion kit is easy to install and provides for high efficiency general lighting.

Applications include distribution, warehouse, aisle lighting, retail applications and virtually anywhere existing strip fixtures are currently in use.

SR retrofit kits are available with a variety of lamp and reflector combinations – allowing the customer to design the SR system to meet or exceed existing light levels and customize the “look” to match their specific needs. Optimum Lighting recommends the coupling of the Enhanced Specular reflector with high lumen “Super” T8 lamps— as a way to maximize lumen output and fixture efficiency.

The SR strip retrofit is designed for easy installation in existing strip fixtures.

#### Product Construction

The channel cover is made from 0.028” cold rolled steel, and custom fabricated to fit the existing channel width. The brake-formed cover is designed with ease of installation in mind. Exterior surfaces are finished with highly reflective white paint.

**Optical Reflector** system is precision brake formed of the selected aluminum material. The reflector is designed to be removable without the use of tools, using 1/4 turn fasteners to secure it in place.

**Lampholders** are made of a Polycarbonate material; these locking-style lampholders are utilized to ensure positive lamp retention. Additionally, the material contributes to a longer life product in high temperature applications.

**Ballasts** are electronic programmed-start (T5HO) or instant-start (T8) as a standard. Optional ballasts are available, consult factory for available systems and system specifications. Available voltages: 120v, 277v, 347v, voltage sensing 120-277v and 347-480v.

**Listings** – All fixtures are UL and CUL listed.



The Brightest Energy Solution

Phone: (800) 541-9082 Fax: (888) 214-7667 Web: www.optimumlighting.com

SR – Fixture Ordering Information

Fixture Series	Channel Width	# of Lamps	Lamp Type	Voltage	# Ballasts	Ballast Type	Reflector	Reflector Options	Options	Lamp Color	Lamp Options* <sup>5</sup>
SR	Specify* <sup>3</sup>	1	17	BLANK	BLANK	NB* <sup>4</sup>	BLANK	(S)	E ( )	BLANK	HP
SR6T* <sup>1</sup>		2	24	12	1	HI	E	(I)	F	830	A
SRT* <sup>2</sup>		3	25	27	2	LI	W	(AS)	OS ( )	835	TG
SR12T* <sup>2</sup>			32	34	3	SI	B	(C)	WG	841	SS
SR16T* <sup>2</sup>			39	UV		SI+			WWG	850	ES ( )
SR20T* <sup>2</sup>			54	HV		PS			SDT		XL
SR24T* <sup>2</sup>						PSL			PC		
						PSH			US* <sup>4</sup>		
						PD			NS		
						SDH					
						AX					

Please Specify When Ordering:

Fixture Series	Channel Width	# of Lamps	Lamp Type	Voltage	# Ballasts	Ballast Type	Reflector	Reflector Options	Options	Lamp Color	Lamp Options
SR											

\*1 SR 6T is a 6ft Tandem fixture, # of lamps are for the profile of the fixture (3' lamps).

\*2 SRT is an 8ft Tandem fixture, SR 12T is a 12ft Tandem fixture, SR 16T is a 16ft Tandem fixture, SR 20T is a 20ft Tandem fixture & SR 24T is a 24ft Tandem fixture, # of lamps are for the profile of the fixture (4' lamps).

\*3 Specify Existing Channel Width: 3.00" Minimum for 2 lamp profile and 4.25" Minimum for 3 lamp profile.

\*4 SR ordered with No Ballast will be shipped with Shunted Sockets, unless Unshunted Sockets are specified.

\*5 Consult Factory for Manufacturer Specific Ordering Codes/Availability.

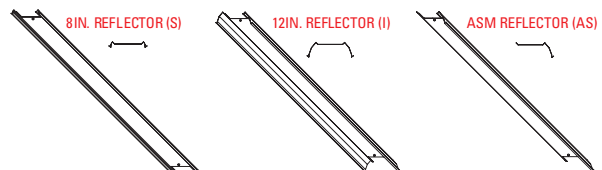
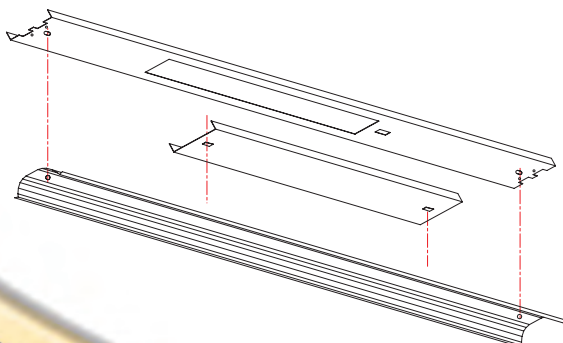
<b>Lamp Type Selections</b> 17 F17T8 System 24 F24T5HO System 25 F25T8 System 32 F32T8 System 39 F39T5HO System 54 F54T5HO System	<b>Ballast Selections</b> <b>NB</b> Ballast Not Included <b>HI</b> High Ballast Factor (HBF) Electronic* <b>LI</b> Low Ballast Factor (LBF) Electronic* <b>SI</b> Standard Ballast Factor (NBF) Electronic* <b>SI+</b> 1.0BF Electronic* <b>PS</b> Programmed Start (NBF) <b>PSL</b> Programmed Start LBF* <b>PSH</b> Programmed Start HBF* <b>PD</b> Programmed Start Dimming <b>SDH</b> Step Dimming HBF (100% to 60% Dimming)* <b>AX</b> Daylight Harvesting Ballast with remote mount photosensor* * T8 Only	<b>Reflector Selections</b> <b>BLANK</b> Channel Cover Only <b>E</b> Enhanced Aluminum <b>W</b> Highly Reflective White Aluminum <b>B</b> 95% Reflective Extreme White Aluminum  <b>Reflector Options</b> <b>(S)</b> Standard <b>(I)</b> Industrial <b>(AS)</b> Asymmetrical <b>(C)</b> Custom (Accurate Drawings/Description Needed)	<b>Options Selections</b> <b>E ( )</b> Emergency Pack (# Lumens) <b>F</b> Inline Fuse <b>OS ( )</b> Occupancy Sensor (Specify Lamps on Low/Lamps on High) <b>WG</b> Wireguard <b>WWG</b> White Wireguard <b>SDT</b> Step Down Transformer (480 to 277V) <b>PC</b> Photocell <b>US</b> Unshunted Sockets <b>NS</b> No Sockets	<b>Lamp Color Selections</b> <b>BLANK</b> Lamps Not Included <b>830</b> 80+ CRI, 3000K <b>835</b> 80+ CRI, 3500K <b>841</b> 80+ CRI, 4100K <b>850</b> 80+ CRI, 5000K  <b>Lamp Options Selections</b> <b>HP</b> High Performance, Long Life Lamps* <b>A</b> Amalgam Tip Lamps** <b>TG</b> Tubeguarded Lamps <b>SS</b> Shattershielded Lamps <b>ES ( )</b> Energy Saver (Specify Wattage) <b>XL</b> Long Life* * T8 Only ** T5HO Only
---	--	---	---	--

Common Fixture Selections

Catalog Number	System	# of Lamps	Wattage (120/277V)*	Initial System Lumens*	Mean System Lumens*
SR 4.5" 232 UV 1HI E(S)	T8	2	74w/73w	7,130	6,900
SR 4-3/8" 254 UV 1PS E(I)	T5HO	2	116w/115w	10,000	9,500
SRT 5" 132 UV 1PSH E(AS)	T8	2	75w/74w	7,130	6,900
SRT 4-1/4" 232 UV 1HI	T8	4	148w/145w	14,632	14,160

\*Wattages may vary depending on the ballast manufacturer and lamp type used.

Initial and mean system lumens are the initial/mean lumen output of the lamp/ballast system as rated by lamp and ballast manufacturer and may vary from manufacturer to manufacturer. Specifications and dimensions subject to change without notice. Contact Optimum Lighting for current availability and ordering information.



Fixture Type: \_\_\_\_\_

Catalog #: \_\_\_\_\_ Quantity: \_\_\_\_\_

Project: \_\_\_\_\_