

TU SERIES | Aesthetic Fluorescent High-Bay with Uplight

Product Description

This fixture offers everything: Aesthetics and Energy Efficiency. The TU allows for tremendous light output in smaller footprint areas. This 2X2 fixture is designed for maximum light output while maintaining a pleasing appearance. The optional drop lens provides a contemporary style and flair offering exceptional light distribution. Special slotting allows for a small uplight component, making this fixture ideal for retail applications.

This compact size fixture can be equipped with technology to replace the entire low to mid-wattage High Intensity Discharge fixture field. With many lamp selections, from biax to compact fluorescent, this allows for design flexibility and proves this fixture's versatility.

The many reflector, lamp and lens options available allow for a varied performance "spec" and a broad application base. With Biax technology, we can design to provide light output from up to five Biax lamps. With new Compact Fluorescent technology, these lamps can be mounted at a dropped angle. Lowering the lamps below the fixture's base line also allows for additional light spread.

Applications include: Office Areas, Supermarkets, Retail Stores, Art Supply Design Centers or Any Specialty Studio, Schools, Showrooms, and Large Open Area Facilities.

Heat Dissipation – Venting is incorporated into the fixture housing to allow for heat dissipation. Removing heat build-up allows lamps to perform at their maximal lumen output temperature rating.

Light Distribution – The TU outfitted with D23 lens provides a wide distribution pattern – excellent for use in general or open areas. Uplight slotting creates uniform ceiling illumination.

Mounting Methods

TU fixtures are available with optional hook mounting.

Product Construction

The TU fixture housing is brake formed from heavy gauge cold rolled steel, permanently assembled with rivets.

Finish Standard finish on this fixture's housing is baked ripple black enamel. Uniquely, this fixture can be customized to match your corporate colors or any desired retail design features. Pick from hundreds of colors or supply your own Pantone Color swatch.

Optical Reflector system is precision brake formed of the selected aluminum material – enhanced aluminum or highly reflective white. The one piece reflector is removable without the use of tools, using 1/4 turn fasteners to secure it in place.

Lens Standard lens is a high efficiency, high dispersion 23 pattern clear acrylic. Optional lenses are available, see ordering information.

Lampholders are standard 2G11 (BiAx) or GX24Q (CFL) base snap-in type.

Ballasts are electronic program-start (32, 42, 50, 55, 57 and 70w) or instant-start (36, 40w) as a standard. Optional ballasts are available, consult factory for available systems and system specifications.

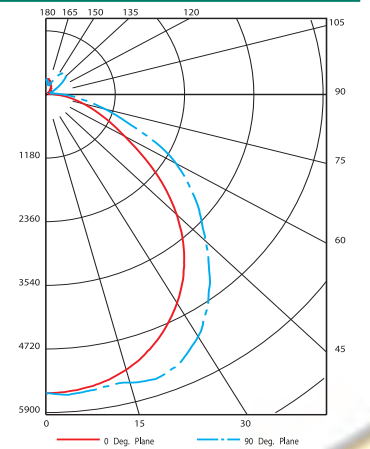
Listings – All fixtures are UL and CUL listed.

Patents – U.S. Patent #7,070,303 & 6,024,468

Photometric Data

LTL NUMBER: 9708
CAT#: TU D23D 22 555 UV 3PS E 841

ZONAL LUMEN SUMMARY			
ZONE	LUMENS	%LAMP	%FIXT
0-30	4448	20.7	26.5
0-40	7299	33.9	43.4
0-60	12484	58.1	74.3
0-90	15578	72.5	92.7
90-120	395	1.8	2.4
90-130	598	2.8	3.6
90-150	1034	4.8	6.2
90-180	1221	5.7	7.3
0-180	16798	78.1	100.0
TOTAL LUMINAIRE EFFICIENCY:			78.1%
CIE TYPE:	DIRECT		
PLANE:	0-DEG	90-DEG	
SPACING CRITERIA:	1.2	1.4	





The Brightest Energy Solution

Phone: (800) 541-9082 Fax: (888) 214-7667 Web: www.optimumlighting.com

TU – Fixture Ordering Information

Fixture Series	Lens	Dimensions	# of Lamps*1	Lamp Type	Voltage	# Ballasts	Ballast Type	Reflector	Hanging	Options	Lamp Color	Lamp Options
TU	D23	22	3	36	12	1	SI	E	HK	C ()	BLANK	ES ()
	DL1	23	4	40	27	2	PS	W		6T1	830	
	DL2		5	50	34	3	PSH	B		6T2	835	
	DD23		6	55	UV		PD			E ()	841	
	D125				HV					F	850	
	CAL1									OS ()		
										SC		
										WG		
										20G		
										CC ()		
										PC		

Please Specify When Ordering:

Fixture Series	Lens	Dimensions	# of Lamps	Lamp Type	Voltage	# Ballasts	Ballast Type	Reflector	Hanging	Options	Lamp Color	Lamp Options
TU												

*1 TU 2x2 can be outfitted with up to 5 lamps & 2x3 can be outfitted with up to 6 lamps

Lens Selections

- D23** 23 Pattern High Dispersion, High Efficiency
- DL1** 0.118" Clear Lexan
- DL2** 0.220" Clear Lexan
- DD23** 23 Pattern Drop
- D125** 0.125" Prismatic
- CAL1** 0.118" Clear Acrylic

Dimensions

- 22** 2' x 2'
- 23** 2' x 3'

Lamp Type Selections

- 36** FT36W/2G11 System
- 40** FT40W/2G11 System
- 50** FT50W/2G11 System
- 55** FT55W/2G11 System

Voltage Selections

- 12** 120V
- 27** 277V
- 34** 347V
- UV** 120-277V
- HV** 347-480V

Ballast Selections

- PS** Programmed Start (NBF)
 - PSH** Programmed Start High Ballast Factor**
 - PD** Programmed Start Dimming
- * 40w Only
** 36, 40 & 50w Only

Reflector Selections

- E** Enhanced Aluminum
- W** Highly Reflective White Aluminum
- B** 95% Reflective Extreme White Aluminum

Hanging Selections

- HK** Hook

Options Selections

- C ()** Single Circuit Cord (Specify Length)
- 6T1** 6' Cord with L5-15 Locking End
- 6T2** 6' Cord with L7-15 Locking End
- E ()** Emergency Pack (# Lumens)
- F** Inline Fuse
- OS ()** Occupancy Sensor (Specify Lamps on Low/Lamps on High)
- SC** Safety Cable
- WG** Wire Guard
- 20G** 20 gauge NYC Standards
- CC ()** Custom Color Specify Color
- PC** Photocell

Lamp Color Selections

- BLANK** Lamps Not Included
- 830** 80+ CRI, 3000K
- 835** 80+ CRI, 3500K
- 841** 80+ CRI, 4100K
- 850** 80+ CRI, 5000K*
* 40w Only

Lamp Options Selections

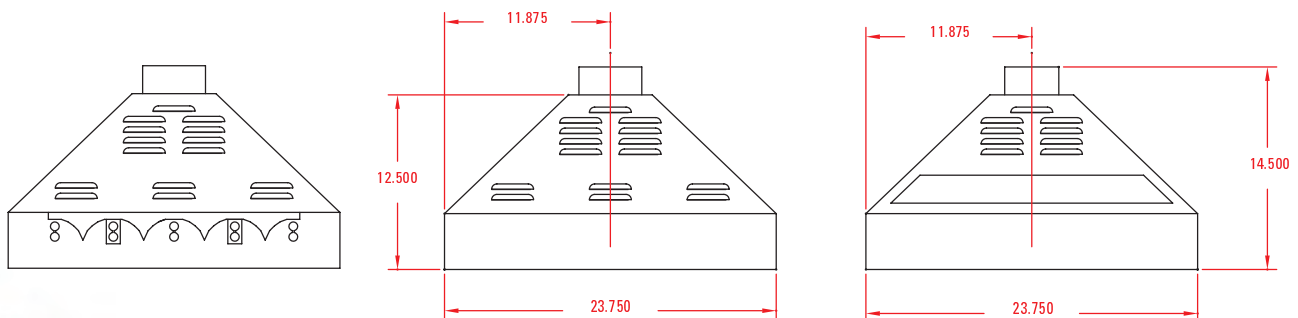
- ES ()** Energy Saver (Specify Wattage)*
* 40w Only

Common Fixture Selections

Catalog Number	System	# of Lamps	Wattage (120/277V)*	Initial System Lumens*	Mean System Lumens*
TU D23 22 436 UV 1PSH E	BIAX	4	176w / 173w	13,920	12,528
TU D23 22 550 UV 2PSH W	BIAX	5	296w / 290w	23,650	21,285
TU D23 23 640 UV 2SI W	BIAX	6	198w / 194w	17,424	15,682
TU D23 23 650 UV 2PSH E	BIAX	6	353w / 345w	28,380	25,542

*Wattages may vary depending on the ballast manufacturer and lamp type used.

Initial and mean system lumens are the initial/mean lumen output of the lamp/ballast system as rated by lamp and ballast manufacturer and may vary from manufacturer to manufacturer. Specifications and dimensions subject to change without notice. Contact Optimum Lighting for current availability and ordering information.



Fixture Type: _____

Catalog #: _____ Quantity: _____

Project: _____